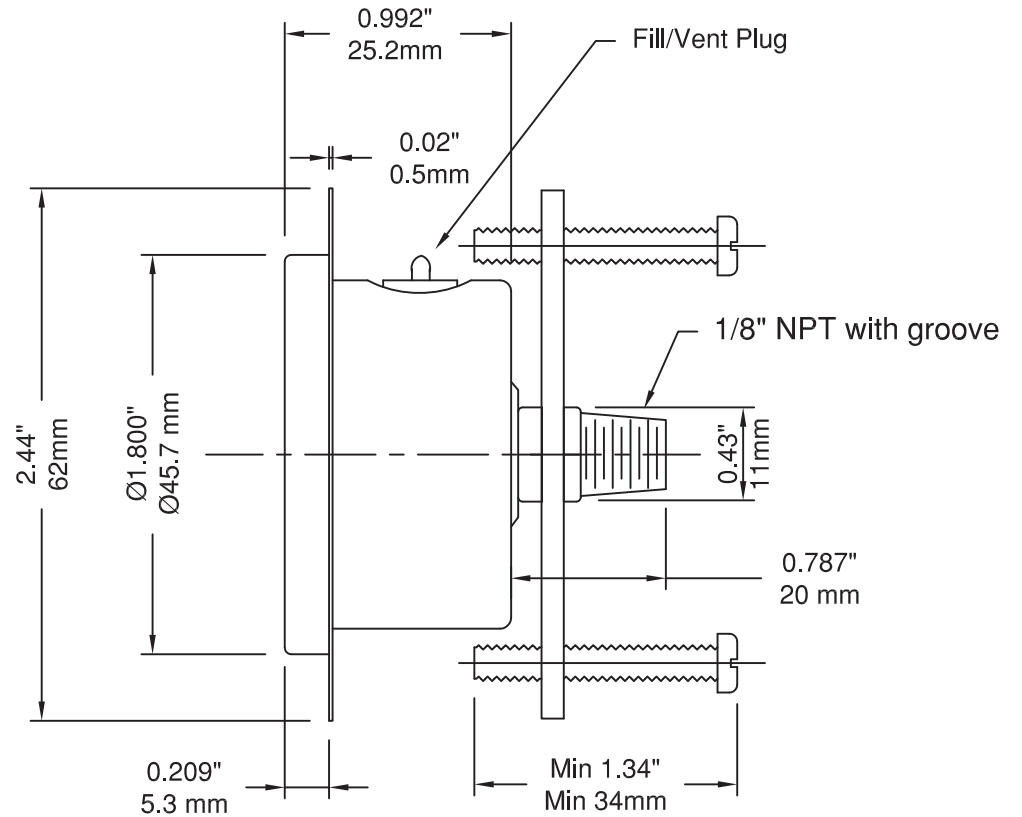
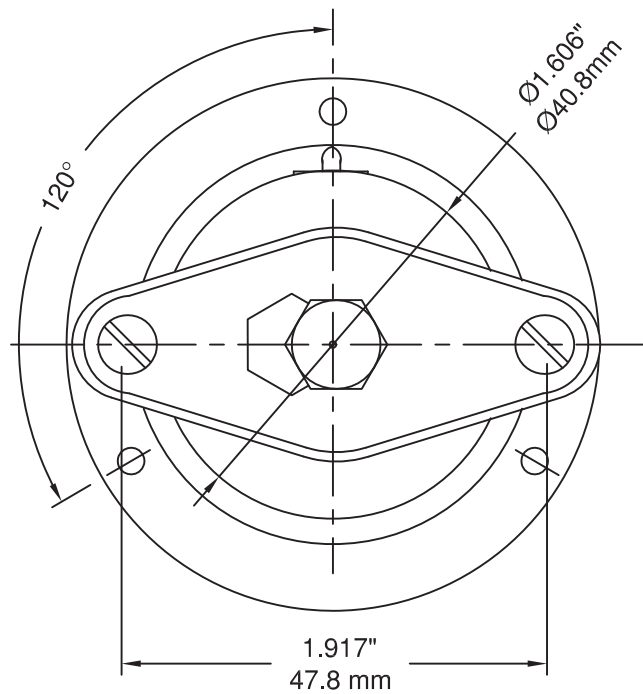


Materials:

Case: 304 S/S.
 Lens: Acrylic
 Ring: 304 S/S.
 Pointer: Aluminum, anodized black.
 Socket: Brass or S/S.
 Connection: 1/8" NPT with groove.
 Bourdon Tube: Ph Bz or S/S.
 Movement: Brass or S/S.

Specification:

Accuracy: ±2.5% F.S.
 Ambient/Process Temp. Limits Dry: -40°F to 200°F (-40°C to 93°C)
 Ambient/Process Temp. Limits Glycerin Filled: -4°F to 150°F (-20°C to 65°C)
 Protection: IP65.



DRAWN BY: ROBIN LUGTU

ENG. APPROVAL:

ALL DIMENSIONS IN INCHES/MM

TOLERANCES
(unless otherwise stated)

Fractional:	$\frac{1}{64}''$ 0.4mm
Decimal:	0.06" 1.5mm

REVISION No AND DATE: #3, Nov. 05, 2014

TITLE:

1.5" LIQUID FILLED QUALITY GAUGE, BACK CONNECTION,
 WITH FRONT FLANGE & U-CLAMP

DRAWING NO: PFQ-15-T-Z-F-UC