

Accessories

Accessories

Brackets

Cordsets

Retroreflectors

Miscellaneous

Reference

Brackets

page 620

- A wide selection of bracket styles for easy installation and optimum performance
- Swivel brackets for greater range of motion and flexibility in mounting
- A choice of stainless steel, cold-rolled steel, black corrosion-resistant zinc or black ABS plastic brackets
- Custom brackets for unique applications



Quick-Disconnect (QD) Cordsets

page 679

- A choice of cordset styles and length for each sensor or module
- M12/Euro-, M8/Pico-, Mini- and Micro-style QD connectors
- Straight or right-angle connectors, and a variety of lengths for installation flexibility
- Single or double-ended models and splitter cordsets for powering two devices with one cordset.
- Cordsets for serial, Ethernet and video communication



Retroreflectors

page 710

- A complete line of high-quality acrylic targets, high-temperature targets and adhesive-backed retroreflective tapes
- Numerous sizes, shapes and mounting options for most application requirements
- High-reflectivity models for increasing sensing ranges, with reflectivity factors up to 3x
- Temperature range ratings of -20° to 480° C.



Miscellaneous

page 710

Stands & Mounting Systems	722
Mirrors	726
Enclosures	728
Lens Shields	732
Alignment Tools	735
Apertures & Replacement Lenses	736
Power Supplies & Interfacing Products	739
Work Lights & Indicator Lights/Lamps	743

Banner Bracket Selection Chart

SENSORS								
WORLD-BEAM® Q12 page 60		SMBQ12A page 667	SMBQ12T page 667					
M12 page 64		SMB12FA.. page 636	SMB12MM page 636	SMBQS12PD page 669				
T8 page 68		SMB8MM page 646						
S12 page 71		SMB12FA.. page 636	SMB12MM page 636	SMBQS12PD page 669				
VSM page 74		N/A						
VS1 page 78		SMBVS1S page 674	SMBVS1SC page 674	SMBVS1T page 674	SMBVS1TC page 674	SMBVSM4 page 675		
VS2 page 81		SMBVS2RA page 675						
VS3 page 84		SMBVS3S page 675	SMBVS3T page 675					
WORLD-BEAM® QS18 page 88		SMB18A page 637	SMB18AFA.. page 637	SMB18ATFA page 637	SMB18FA.. page 638	SMB18FM page 638	SMB18Q page 638	SMB18SF page 638
		SMB18UR page 639	SMB3018SC page 639	SMB30SK page 641	SMB30SUS page 641	SMB312PD page 642	SMB312S page 642	SMB4050YL page 642
		SMB46A page 644	SMB46L page 644	SMB46S page 644	SMB46U page 644	SMBAMS18P page 647	SMBAMS18RA page 647	SMBQS18A page 669
		SMBQS18AF page 670	SMBQS18DIN page 670	SMBQS18RA page 670	SMBQS18Y page 670	SMBQS18YL page 671	SMH241F page 676	
WORLD-BEAM® Q20 page 103		SMBQ20H page 668	SMBQ20L page 668	SMBQ20LV page 668	SMBQ20U page 668			
MINI-BEAM® page 111		SMB18A page 637	SMB18FA.. page 638	SMB18Q page 638	SMB18SF page 638	SMB18UR page 639	SMB3018SC page 639	SMB30SK page 641
		SMB30SUS page 641	SMB312B page 642	SMB312PD page 642	SMB312S page 642	SMB46L page 644	SMB46S page 644	SMB46U page 644
		SMBAMS18P page 647	SMBAMS18RA page 647	SMH241F page 676				
S18/M18 page 127		SMB18A page 637	SMB18FA.. page 638	SMB18FM page 638	SMB18Q page 638	SMB18SF page 638	SMB18UR page 639	SMB3018SC page 639
		SMB30SK page 641	SMB312PD page 642	SMB46A page 644	SMBAMS18P page 647	SMBAMS18RA page 647		
T18 page 134		SMB1815SF page 637	SMB18A page 637	SMB18AFA.. page 637	SMB18FA.. page 638	SMB18FM page 638	SMB18Q page 638	SMB18SF page 638
		SMB18UR page 639	SMB3018SC page 639	SMB30SK page 641	SMB312PD page 642	SMBAMS18P page 647	SMBAMS18RA page 647	SMBT18Y page 673



More on next page

Banner Bracket Selection Chart

Accessories

Brackets

Cordsets

Retroreflectors

Miscellaneous

Reference

TM18 page 140 	SMB18A page 637	SMB18AFA.. page 637	SMB18ATFA.. page 637	SMB18FA.. page 638	SMB18Q page 638	SMB18UR page 639	SMB312PD page 642
	SMBAMS18P page 647	SMBAMS18RA page 647	SMBT18Y page 673				
Q25 page 144 	SMB18A page 637	SMB18FA.. page 638	SMB18Q page 638	SMB18SF page 638	SMB18UR page 639	SMB3018SC page 639	SMB30SK page 641
	SMB312PD page 642						
WORLD-BEAM® QS30 page 150 	SMB30A page 639	SMB30FA.. page 640	SMB30MM page 640	SMB30Q page 640	SMB30RAVK page 640	SMB30SC page 641	SMB46L page 644
	SMB46S page 644	SMBAMS30P page 648	SMBAMS30RA page 648	SMBAMSRAB page 652	SMBQS30L page 671	SMBQS30LT page 671	SMBQS30Y page 671
	SMBQS30YL page 672						
S30 page 161 	SMB30A page 639	SMB30FA.. page 640	SMB30MM page 640	SMB30Q page 640	SMB30RAVK page 640	SMB30SC page 641	SMBAMS30P page 648
	SMBAMS30RA page 648						
SM30/SMI30 page 166 	SMB30A page 639	SMB30FA.. page 640	SMB30MM page 640	SMB30Q page 640	SMB30RAVK page 640	SMB30SC page 641	SMBAMS30P page 648
	SMBAMS30RA page 648						
T30 page 170 	SMB1815SF page 637	SMB30A page 639	SMB30FA.. page 640	SMB30MM page 640	SMB30Q page 640	SMB30RAVK page 640	SMB30SC page 641
	SMBAMS30P page 648	SMBAMS30RA page 648					
Q40 page 175 	SMB30A page 639	SMB30FA.. page 640	SMB30MM page 640	SMB30Q page 640	SMB30RAVK page 640	SMB30SC page 641	SMBAMS30P page 648
	SAMBAMS30RA page 648						
PICO-DOT page 179 	SMB46A page 644	SMB56L page 644	SMB46S page 644	SMB46U page 644			
QM42/QMT42 page 183 	SMB3018SC page 639	SMB30SK page 641	SMB30SUS page 641	SMB42F page 643	SMB42L page 643	SMB42T page 643	SMB42U page 643
	SMB46L page 644	SMB46S page 644	SMB46U page 644	SMH241F page 676			
Q45 page 190 	SMB30A page 639	SMB30FA.. page 640	SMB30MM page 640	SMB30Q page 640	SMB30RAVK page 640	SMB30SC page 641	SMB30UR page 641
	SMBAMS30P page 648	SAMBAMS30RA page 648					
OMNI-BEAM™ page 207 	SMB30A page 639	SMB30FA.. page 640	SMB30MM page 640	SMB30Q page 640	SMB30RAVK page 640	SMB30SC page 641	SMB30UR page 641
	SMBAMS30P page 648	SAMBAMS30RA page 648					
Q60 page 217 	SMBAMSQ60IP page 651	SMBAMSQ60P page 651	SMBQ60 page 669				
D10 page 226 	DIN-35-.. page 628	SMBR55F01 page 672	SMBR55FRA page 672				

More on next page

Banner Bracket Selection Chart














D12 page 235		DIN-35-.. page 628	SMBR55F01 page 672	SMBR55FRA page 672				
R55F page 240		DIN-35-.. page 628	SMBR55F01 page 672	SMBR55FRA page 672				
LX page 267		SMBLX page 658	SMBLXR page 659					
SLM page 270		N/A						
SL10/SL30 page 273		SMBSL page 673						
R58E/R58A page 277		SMB55A page 645	SMB55F page 645	SMB55RA page 645	SMB55S page 646			
QC50/QCX50 page 282		SMBQC50 page 669						
QL50/QL51/QL56 page 287		SMB55A page 645	SMB55F page 645	SMB55RA page 645	SMB55S page 646			
OTB/LTB/STB page 455		SMB30A page 639	SMB30FA.. page 640	SMB30MM page 640	SMB30Q page 640	SMB30RAVK page 640	SMB30SC page 641	SMBAMS30P page 648
		SMBAMS30RA page 648						
L-GAGE® LT3 page 296		SMBAMSLT3IP page 650	SMBAMSLT3P page 651	SMBLT31 page 657	SMBLT32 page 657	SMBLT31P page 658		
L-GAGE® LT7 page 300		SMBLT7 page 658	SMBLT7F page 658					
L-GAGE® LH page 303		SMBLH1 page 657	SMBLH.. page 657					
L-GAGE® LG5/LG10 page 307		SMBLG page 656	SMBLGA page 656					
U-GAGE® QT50U page 332		SMB30A page 639	SMB30FA.. page 640	SMB30MM page 640	SMB30RAVK page 640	SMB30SC page 641	SMBAMS30P page 648	SMBAMS30RA page 648
U-GAGE® S18U page 314		SMB18A page 637	SMB18FA.. page 638	SMB18FM page 638	SMB18Q page 638	SMB18SF page 638	SMB18UR page 639	SMB3018SC page 639
		SMB30SK page 641	SMB312PD page 642	SMBAMS18P page 647	SMBAMS18RA page 647			



More
on next
page















Banner Bracket Selection Chart

- Accessories
- Brackets
- Cordsets
- Retroreflectors
- Miscellaneous
- Reference

WORLD-BEAM® QS18U page 317 	SMB18A page 637	SMB18FA.. page 638	SMB18FM page 638	SMB18Q page 638	SMB18SF page 638	SMB18UR page 639	SMB3018SC page 639
	SMB30SK page 641	SMB30SUS page 641	SMB312PD page 642	SMB312S page 642	SMB46A page 644	SMB46L page 644	SMB46S page 644
	SMB46U page 644	SMBAMS18P page 647	SMBAMS18RA page 647	SMBQS18A page 669	SMBQS18RA page 670	SMBQS18Y page 670	SMH241F page 676
U-GAGE® T30UX/T30U page 320 	SMB1815SF page 637	SMB30A page 639	SMB30FA.. page 640	SMB30MM page 640	SMB30RAVK page 640	SMB30SC page 641	SMBAMS30P page 648
	SMBAMS30RA page 648						
U-GAGE® M25U page 328 	SMBM25A page 659	SMBM25B page 659					
U-GAGE® T18U page 330 	SMB1815SF page 637	SMB18A page 637	SMB18FA.. page 638	SMB18Q page 638	SMB18SF page 638	SMB18UR page 639	SMB3018SC page 639
	SMB30SK page 641	SMB312PD page 642	SMBAMS18P page 647	SMBAMS18RA page 647	SMBT18Y page 673		
U-GAGE® Q45U page 332 	SMB30A page 639	SMB30FA.. page 640	SMB30MM page 640	SMB30Q page 640	SMB30RAVK page 640	SMB30SC page 641	SMB30UR page 641
	SMBAMS30P page 648	SMBAMS30RA page 648					
U-GAGE® Q45UR page 336 	SMB18A page 637	SMB18FA.. page 638	SMB18Q page 638	SMB18SF page 638	SMB18UR page 639	SMB3018SC page 639	SMB30A page 639
	SMB30FA.. page 640	SMB30MM page 640	SMB30Q page 640	SMB30RAVK page 640	SMB30SC page 641	SMB30SK page 641	SMB30UR page 641
	SMB312PD page 642	SMBAMS18P page 647	SMBAMS18RA page 647	SMBAMS30P page 648	SMBAMS30RA page 648		
A-GAGE® EZ-ARRAY™ page 341 	EZA-MBK-11 page 629	EZA-MBK-12 page 629	EZA-MBK-20 page 629	SMBLBCZB page 656			
A-GAGE® MINI-ARRAY® page 348 	DIN-35.. page 628	MSMB-3 page 633					
R-GAGE™ QT50R page 354 	SMB30A page 639	SMB30FA.. page 640	SMB30MM page 640	SMB30SC page 641	SMBAMS30P page 648	SMBAMS30RA page 648	
VISION							
iVu/iVu Plus page 364 	SMBIVUB page 654	SMBIVURAL page 654	SMBIVURAR page 655	SMBIVUU page 655			
PresencePLUS® Pro page 370 	SMBPPDE page 661	SMBPPDH page 662	SMBPPLU page 662	SMBPPRA page 663	SMBPPROMRA page 663	SMBPPSU page 664	SMBPPU page 664
PresencePLUS® P4 page 377 	SMBP4RAB page 660	SMBP4RAS page 661	SMBP4SRAF page 661				
WIRELESS							
SureCross™ DX80/DX85/DX70 page 383 	SMBAMS80PL52 page 650	SMBAMS80PL52R page 650	SMBDX80DIN page 653				

More on next page

Banner Bracket Selection Chart

LIGHTING & INDICATORS							
WL50 Work Light page 405 	SMB30A page 639	SMB30FA.. page 640	SMB30MM page 640	SMB30Q page 640	SMB30RAVK page 640	SMB30SC page 641	SMBAMS30P page 648
	SMBAMS30RA page 648						
WLA Work Light Area page 410 	SMBBSSM page 652						
WLS28 Work Light Strips page 407 	SMBWLS28RA page 676						
Ring Lights page 416 	SMBPMPRHI page 661	SMBPPRHI page 663					
Area Lights page 418 	SMBABM page 646	SMBACM page 646	SMBAMS70A page 649	SMBAMS70AS page 649	SMBASCM page 652	SMBP42ASM page 659	SMBP4ASM page 660
	SMBVLA62X62S page 673	SMBVLA62X62RA page 673					
Backlights Page 420 	SMBABM page 646	SMBACM page 646	SMBBSSM page 652				
Linear Array page 421 	SMBLASRA page 655	SMBLAXRA page 655	SMBLAXU page 656				
On-Axis Lights page 422 	SMBP4OAL100 page 660	SMBP4OAL50 page 660	SMBPPOAL100 page 662	SMBPPOAL50 page 663			
Spot Lights page 423 	SMBP42ASM page 659	SMBP4ASM page 660	SMBPPLK page 662				
Tubular Fluorescent page 424 	SMBWFTLR page 676	SMBWFTLS page 676					
EZ-LIGHT™ TL50 page 428 	SMB30A page 639	SMB30FA.. page 640	SMB30MM page 640	SMB30RAVK page 640	SMB30SC page 641	SMBAMS30P page 648	SMBAMS30RA page 648
EZ-LIGHT™ TL30F page 428 	SMBPVA1 page 664	SMBPVA11 page 664	SMBPVA2 page 665	SMBPVA6 page 666	SMBPVA7 page 666	SMBPVA9 page 666	
EZ-LIGHT™ T8L page 432 	SMB8MM page 646						
EZ-LIGHT™ M18 page 432 	SMB1815SF page 637	SMB18A page 637	SMB18FA.. page 638	SMB18Q page 638	SMB18SF page 638	SMB18UR page 639	SMB30SK page 641
	SMB312PD page 642	SMBAMS18P page 647	SMBAMS18RA page 647				



More on next page

Banner Bracket Selection Chart

Accessories














Brackets

Cordsets

Retroreflectors

Miscellaneous
















Reference

EZ-LIGHT™ T18 page 432 	SMB1815SF page 637	SMB18A page 637	SMB18FA.. page 638	SMB18Q page 638	SMB18SF page 638	SMB18UR page 639	SMB3018SC page 639
	SMB30SK page 641	SMB312PD page 642	SMBAMS18P page 647	SMBAMS18RA page 647	SMBT18Y page 673		
EZ-LIGHT™ T30 page 432 	SMB1815SF page 637	SMB30A page 639	SMB30FA.. page 640	SMB30MM page 640	SMB30Q page 640	SMB30RAVK page 640	SMB30SC page 641
	SMBAMS30P page 648	SMBAMS30PL52R page 648	SMBAMS30PL52 page 648	SMBAMS30RA page 648	SMBAMS30RLJ page 649	SMBAMS30RLS page 649	
EZ-LIGHT™ K30L page 432 	SMB22A page 639	SMBAMS22P page 647	SMBAMS22RA page 647				
EZ-LIGHT™ K50L page 432 	SMB30A page 639	SMB30FA.. page 640	SMB30MM page 640	SMB30Q page 640	SMB30RAVK page 640	SMB30SC page 641	SMBAMS30P page 648
	SMBAMS30PL52R page 648	SMBAMS30PL52 page 648	SMBAMS30RA page 648	SMBAMS30RLJ page 649	SMBAMS30RLS page 649		
EZ-LIGHT™ K80L page 432 	SMBAMS80PL52 page 650	SMBAMS80PL52R page 648	SMBDX80DIN page 653				
EZ-LIGHT™ K80L Segmented page 438 	SMBAMS80PL52 page 648	SMBAMS80PL52R page 648	SMBDX80DIN page 653				
EZ-LIGHT™ K80CLR Call Light page 439 	SMBAMS80PL52 page 648	SMBAMS80PL52R page 648	SMBDX80DIN page 653				
EZ-LIGHT™ CL50 page 432 	SMB30A page 639	SMB30FA.. page 640	SMB30MM page 640	SMB30RAVK page 640	SMB30SC page 641	SMBAMS30P page 648	SMBAMS30RL52 page 648
	SMBAMS30PL52R page 650	SMBAMS30RA page 648	SMBAMS30RLJ page 649	SMBAMS30RLS page 649			
EZ-LIGHT™ K50LD Daylight Visible page 439 	SMB30A page 639	SMB30FA.. page 640	SMB30MM page 640	SMB30Q page 640	SMB30RAVK page 640	SMB30SC page 641	SMBAMS30P page 648
	SMBAMS30PL52R page 648	SMBAMS30PL52 page 648	SMBAMS30RA page 648	SMBAMS30RLJ page 649	SMBAMS30RLS page 649	SMBARP..30 page 652	
EZ-LIGHT™ Traffic Light page 440 	SMBDX80DIN page 653						
K50 page 444 	SA-K50A18 page 635	SMB30A page 639	SMB30FA.. page 640	SMB30MM page 640	SMB30Q page 640	SMB30RAVK page 640	SMB30SC page 641
	SMBAMS30P page 648	SMBAMS30PL52 page 650	SMBAMS30PL52R page 648	SMBAMS30RA page 648	SMBAMS30RLJ page 649	SMBAMS30RLS page 649	
K80 page 444 	SMBAMS80PL52 page 650	SMBAMS80PL52R page 650	SMBDX80DIN page 653				
VTB page 453 	SMB30A page 639	SMB30FA.. page 640	SMB30MM page 640	SMB30Q page 640	SMB30RAVK page 640	SMB30SC page 641	SMBAMS30P page 648
	SMBAMS30PL52 page 648	SMBAMS30PL52R page 648	SMBAMS30RA page 648	SMBAMS30RLJ page 649	SMBAMS30RLS page 649		
















More on next page

Banner Bracket Selection Chart

PVA page 450 	SMBPVA1 page 664	SMBPVA2 page 665	SMBPVA.. page 665	SMBPVA..A page 665	SMBPVA..AB page 665	SMBPVA..C page 665	SMBPVA6 page 666
	SMBPVA7 page 666	SMBPVA8 page 666	SMBPVA9 page 666				
PVD page 448 	SMBPVA1 page 664	SMBPVA11 page 664	SMBPVA2 page 665	SMBPVA..C page 665	SMBPVA6 page 666	SMBPVA7 page 666	SMBPVA8 page 666
	SMBPVA9 page 666	SMBPVD..A page 667	SMBPVD..AB page 667				
MACHINE SAFETY							
EZ-SCREEN® Standard 14 & 30 mm Resolution page 473 	EZA-MBK-11 page 629	EZA-MBK-12 page 629	EZA-MBK-20 page 629				
EZ-SCREEN® Cascade 14 & 30 mm Resolution page 473 	EZA-MBK-11 page 629	EZA-MBK-12 page 629	EZA-MBK-21 page 630				
EZ-SCREEN® LP Standard 14 & 25 mm Resolution page 481 	LPA-MBK-11 page 631	LPA-MBK-12 page 631	LPA-MBK-20 page 632	LPA-MBK-22 page 633	LPA-MBK-PXXX page 633		
EZ-SCREEN® LP Cascade 14 & 25 m Resolution page 481 	LPA-MBK-11 page 631	LPA-MBK-12 page 631	LPA-MBK-120 page 631	LPA-MBK-135 page 632	LPA-MBK-180 page 632	LPA-MBK-20 page 632	LPA-MBK-21 page 632
	LPA-MBK-22 page 633	LPA-MBK-90 page 633	LPA-MBK-PXXX page 633				
EZ-SCREEN® Type 2 30 mm Resolution page 489 	USCMB-.. page 677	USMB-1 page 678	USMB-6 page 678	USMB-8 page 678			
EZ-SCREEN® Grid page 494 	EZA-MBK-1 page 628	EZA-MBK-2 page 629	EZA-MBK-3 page 630	EZA-MBK-9 page 631			
EZ-SCREEN® Point page 494 	EZA-MBK-1 page 628	EZA-MBK-2 page 629	EZA-MBK-3 page 630	EZA-MBK-4 page 630	EZA-MBK-5 page 630		
AG4 page 503 	AG4-MBK1 page 628						
PICO-GUARD™ Controller page 508 	DIN-35-.. page 628						
PICO-GUARD™ Grid page 511 	EZA-MBK-1 page 628	EZA-MBK-2 page 629	EZA-MBK-3 page 630	EZA-MBK-9 page 631			
PICO-GUARD™ 12 mm Point page 511 	SMB12MM page 636	SMB1812SF page 636					
PICO-GUARD™ 30 mm Point page 511 	SMB30A page 639	SMB30MM page 640	SMB30SC page 641	SMBAMS30P page 648	SMBAMS30RA page 648		
PICO-GUARD™ Switches page 515 	SFA-IMB1 page 635	SFA-IMB2 page 635	SMB12MM page 636				


 More
on next
page

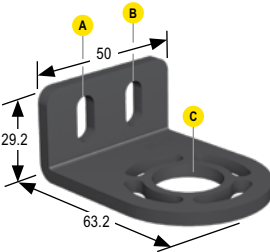
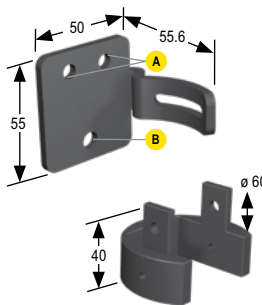
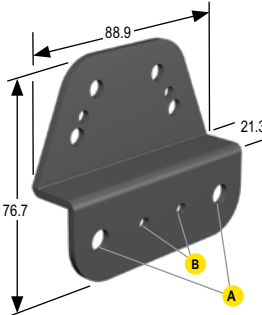
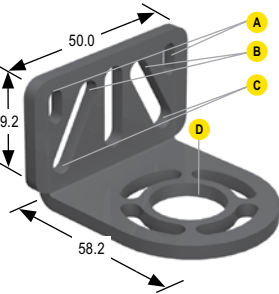
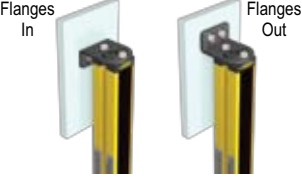

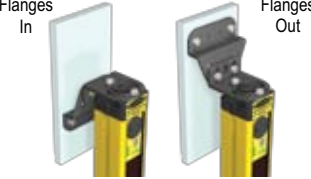
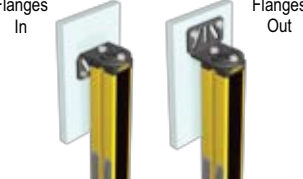
Banner Bracket Selection Chart

PICO-GUARD™ SFA-RD Remote Display page 519 	DIN-35-.. page 628	SMBR55F01 page 672	SMBR55F02 page 672	SMBR55FRA page 672			
SC22-3/-3E page 526 	DIN-35-.. page 628						
E-Stop & Guard Safety Modules page 531 	DIN-35-.. page 628						
Universal Input Modules page 539 	DIN-35-.. page 628						
Safety Mat Modules page 541 	DIN-35-.. page 628						
Muting Modules page 544 	DIN-35-.. page 628						
SSM Safe Speed Modules page 548 	DIN-35-.. page 628						
Extension Relay Modules page 550 	DIN-35-.. page 628						
Interface Relay Modules page 552 	DIN-35-.. page 628						
DUO-TOUCH® SG Safety Modules page 523 	DIN-35-.. page 628						
STB Self-Checking Touch Buttons page 459 	SMB30A page 639	SMB30FA.. page 640	SMB30MM page 640	SMB30Q page 640	SMB30RAVK page 640	SMB30SC page 641	SMBAMS30P page 648
	SMBAMS30RA page 648						
DUO-TOUCH® SG Run Bars page 564 	STBA-RB1-MB1 page 677	STBA-RB1-MB2 page 677	STBA-RB1-MB3 page 677				
ED1G Enabling Devices page 615 	ED9Z-GH1 page 628						

AG4-MBK1	DIN-35..	ED9Z-GH1	EZA-MBK-1								
 <p>All measurements in mm</p>	 <p>All measurements in mm</p>	 <p>All measurements in mm</p>	 <p>All measurements in mm</p>								
<p>Hole center spacing: A = 63 Hole size: 9 x 20.4</p>	<table border="1"> <thead> <tr> <th>Model</th> <th>Length (L)</th> </tr> </thead> <tbody> <tr> <td>DIN-35-70</td> <td>70</td> </tr> <tr> <td>DIN-35-105</td> <td>105</td> </tr> <tr> <td>DIN-35-140</td> <td>140</td> </tr> </tbody> </table>	Model	Length (L)	DIN-35-70	70	DIN-35-105	105	DIN-35-140	140	<p>Hole center spacing: A = 50 Hole size: A = \varnothing 5.3</p>	<p>Hole center spacing: A to B = 15.8, A to C = 31.5 Hole size: A, B, C = 15 x 7, D = \varnothing 32</p>
Model	Length (L)										
DIN-35-70	70										
DIN-35-105	105										
DIN-35-140	140										
<ul style="list-style-type: none"> • Metal swivel bracket for mounting and aligning 	<p>Hole center spacing: 35.1 Hole size: 25.4 x 5.3</p> <ul style="list-style-type: none"> • Available in 70, 105 & 140 mm lengths 	<ul style="list-style-type: none"> • Right-angle bracket for mounting switch to upright surface • Stainless steel 	<ul style="list-style-type: none"> • Two end-cap replacement brackets for one emitter/receiver • 8-ga. cold-rolled steel with black corrosion-resistant zinc chromate finish • M5 and M6 mounting hardware 								
Back Mount	Sensors	Side Mount	End Mount								
 <p>Used with</p>	 <p>Used with</p>	 <p>Used with</p>	 <p>Used with</p>								
AG4 Laser Scanner	<p>D10 D12 R55F PICO-GUARD SFA-RD</p> <p>Controllers & Modules</p>  <p>Used with</p> <p>MINI-ARRAY High-Resolution MINI-ARRAY PICO-GUARD Controllers SC22-3 Controllers GM Modules ES Modules SM Modules MMD Modules IM Modules EM Modules SSM Modules UM Modules Two-Hand Control Modules</p>	ED1G Enabling Devices	EZ-SCREEN Point & Grid PICO-GUARD Grid								

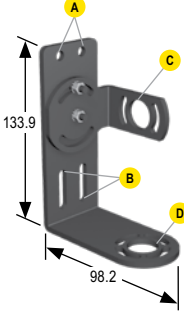
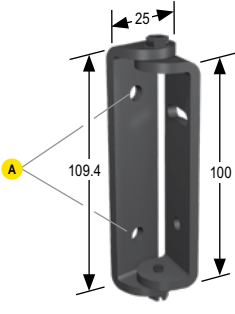
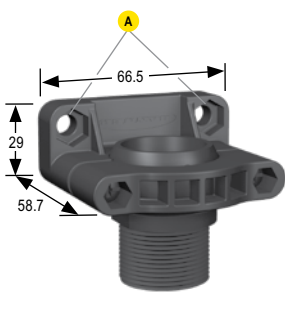
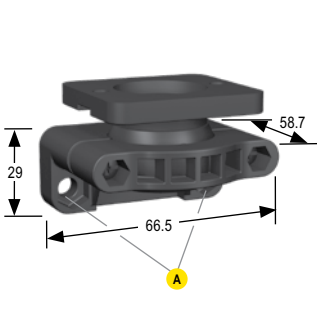






More on next page

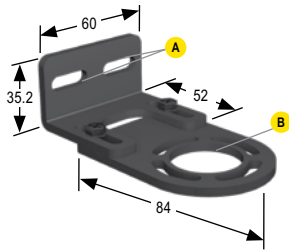
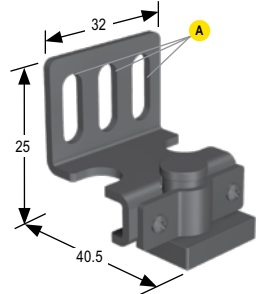
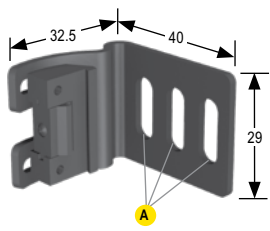
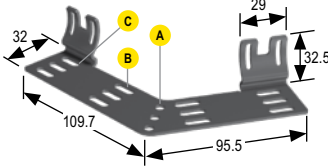
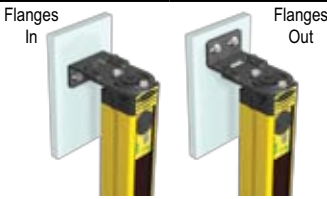



EZA-MBK-11	EZA-MBK-12	EZA-MBK-2	EZA-MBK-20
 <p>All measurements in mm</p>	 <p>All measurements in mm</p>	 <p>All measurements in mm</p>	 <p>All measurements in mm</p>
<p>Hole center spacing: A to B = 20 Hole size: A, B = 15 x 7, C = \varnothing 21.5</p>	<p>Hole center spacing: A = 20, A to B = 36 Hole size: A = \varnothing 7, B = \varnothing 8.3</p>	<p>Hole center spacing: A = 63.9, B = 19.9, A to B = 22 Hole size: A = \varnothing 8.3, B = \varnothing 4.8</p>	<p>Hole center spacing: A = 44.4, B = 20, C = 40 Hole size: A = 10.2 x 4.8, B, C = 25 x 7, D = \varnothing 21.5</p>
<ul style="list-style-type: none"> • Two end-cap replacement brackets for one emitter/receiver • 8-ga. cold-rolled steel with black corrosion-resistant zinc chromate finish • M5 and M6 mounting hardware 	<ul style="list-style-type: none"> • Two-piece center bracket for one emitter/receiver • 8-ga. cold-rolled steel with black corrosion-resistant zinc chromate finish • M5 and M6 mounting hardware 	<ul style="list-style-type: none"> • Bracket adapter (Qty 2) for attaching EZA-MBK-1 to any MSA series stand 	<ul style="list-style-type: none"> • Two-bracket kit for one sensor • Adapter brackets for mounting to engineered/slotted aluminum framing such as 80/20™ and Unistrut™ • Order EZA-MBK-20U for bracket and M5 and M6 mounting hardware
<p>End Mount</p>	<p>Center Mount</p>	<p>Bracket-to-Bracket</p>	<p>End Mount</p>
 <p>Used with</p>	 <p>Used with</p>	 <p>Used with</p>	 <p>Used with</p>
<p>EZ-ARRAY EZ-SCREEN Standard 14 & 30 mm EZ-SCREEN Cascade 14 & 30 mm</p>	<p>EZ-ARRAY EZ-SCREEN Standard 14 & 30 mm EZ-SCREEN Cascade 14 & 30 mm</p>	<p>EZ-SCREEN Point & Grid PICO-GUARD Grid MSA Stands</p>	<p>EZ-ARRAY EZ-SCREEN Standard 14 & 30 mm</p>

- Accessories
- Brackets
- Cordsets
- Retroreflectors
- Miscellaneous
- Reference

More on next page

EZA-MBK-21	EZA-MBK-3	EZA-MBK-4	EZA-MBK-5
 <p>All measurements in mm</p>	 <p>All measurements in mm</p>	 <p>All measurements in mm</p>	 <p>All measurements in mm</p>
<p>Hole center spacing: A = 20, B = 20, A to B = 101.4 Hole size: A = \varnothing 7, B = 30 x 7.2, C, D = \varnothing 21.5</p>	<p>Hole center spacing: A = 65 Hole size: A = \varnothing 7</p>	<p>Hole center spacing: A = 50.8 Hole size: \varnothing 7</p>	<p>Hole center spacing: A = 50.8 Hole size: \varnothing 7</p>
<ul style="list-style-type: none"> • Mounting bracket system for L configuration of two cascaded EZ-SCREEN light screens • 8-ga. cold-rolled steel with black corrosion-resistant zinc chromate finish • M5 and M6 mounting hardware 	<ul style="list-style-type: none"> • Two-piece side-swivel bracket kit • 180° range of motion • 8-ga. cold-rolled steel with black corrosion-resistant zinc chromate finish 	<ul style="list-style-type: none"> • Top-mounting kit with SMB30SC swivel bracket and threaded adapter • 45° rotation in any direction • Black reinforced thermoplastic polyester 	<ul style="list-style-type: none"> • Bottom-mounting kit with SMB30SC swivel bracket and threaded adapter plate • 45° rotation in any direction • Black reinforced thermoplastic polyester
Cascading Mount	Side Mount	End Mount	End Mount
 <p>Used with</p>	 <p>Used with</p>	 <p>Used with</p>	 <p>Used with</p>
EZ-SCREEN Cascade 14 & 30 mm	EZ-SCREEN Point & Grid PICO-GUARD Grid	EZ-SCREEN Point	EZ-SCREEN Point

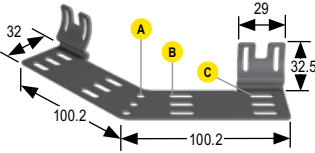
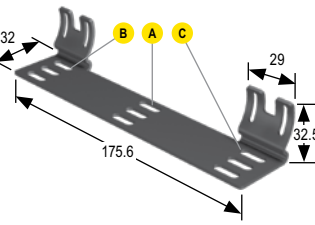
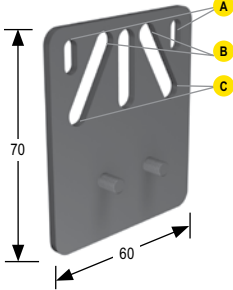
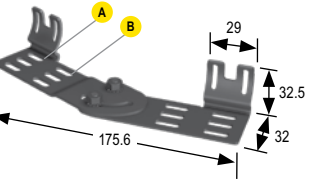




More
on next
page

EZA-MBK-9	LPA-MBK-11	LPA-MBK-12	LPA-MBK-120
 <p>All measurements in mm</p>	 <p>All measurements in mm</p>	 <p>All measurements in mm</p>	
<p>Hole center spacing: A = 30.8 Hole size: A = 21 x 7, B = \varnothing 32</p>	<p>Hole center spacing: A = 10 Hole size: A = 5.5 x 15.5</p>	<p>Hole center spacing: A = 10 Hole size: A = 15.5 x 5.5</p>	<p>Hole center spacing: A, B, C = 10, B to C = 50 Hole size: A = \varnothing 5.8, B, C = 15.5 x 5.5</p>
<ul style="list-style-type: none"> • Two-bracket kit with 30 mm range of motion for mounting sensor • 8-ga. cold-rolled steel with black corrosion-resistant zinc chromate finish • M5 and M6 mounting hardware 	<ul style="list-style-type: none"> • End-cap bracket kit • 360° sensor rotation • 14-ga. (1.9 mm) steel, black zinc plated; die-cast metal clamp • Includes 2 brackets and hardware 	<ul style="list-style-type: none"> • Side-mount bracket kit • +10°/-30° sensor rotation • 14-ga. (1.9 mm) steel, black zinc plated; die-cast zinc clamp • Includes 1 bracket and hardware 	<ul style="list-style-type: none"> • Pair of angled L brackets for two cascaded emitter/receiver pairs • Fixed 120° orientation • +10°/-30° sensor rotation • 14-ga. (1.9 mm) steel, black zinc plated
<p>End Mount</p>	<p>End Mount</p>	<p>Center Mount</p>	<p>Cascading Mount</p>
 <p>Used with</p>	 <p>Used with</p>	 <p>Used with</p>	 <p>Used with</p>
<p>EZ-SCREEN Grid PICO-GUARD Grid</p>	<p>EZ-SCREEN LP 14 & 25 mm</p>	<p>EZ-SCREEN LP 14 & 25 mm</p>	<p>EZ-SCREEN LP 14 & 25 mm</p>

- Accessories
- Brackets
- Cordsets
- Retroreflectors
- Miscellaneous
- Reference

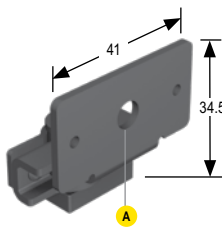
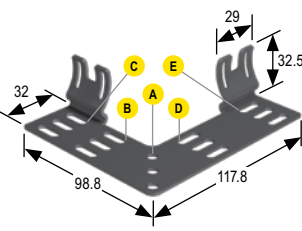
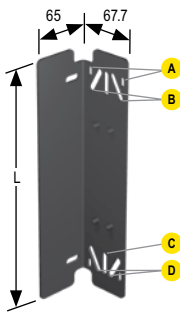
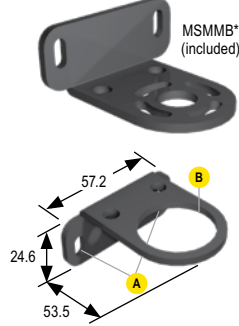






More on next page

LPA-MBK-135	LPA-MBK-180	LPA-MBK-20	LPA-MBK-21
	 <p style="text-align: center;">All measurements in mm</p>	 <p style="text-align: center;">All measurements in mm</p>	 <p style="text-align: center;">All measurements in mm</p>
<p>Hole center spacing: A, B, C = 10, B to C = 50 Hole size: A = \varnothing 5.8, B, C = 15.5 x 5.5</p>	<p>Hole center spacing: A, B, C = 10, A to B = 73.3, A to C = 73.3 Hole size: A, B, C = 15.5 x 5.5</p>	<p>Hole center spacing: A = 44.5, B = 20, C = 40 Hole size: A = 4.8 x 10.2, B, C = 7 x 26.8</p>	<p>Hole center spacing: A, B = 10, A to B = 30 Hole size: A, B = 15.5 x 5.5</p>
<ul style="list-style-type: none"> • Pair of angled L brackets for two cascaded emitter/receiver pairs • Fixed 135° orientation • +10°/-30° sensor rotation • 14-ga. (1.9 mm) steel, black zinc plated 	<ul style="list-style-type: none"> • Pair of inline (straight) brackets for two cascaded emitter/receiver pairs • Fixed 180° orientation • +10°/-30° sensor rotation • 14-ga. (1.9 mm) steel, black zinc plated 	<ul style="list-style-type: none"> • Universal adapter bracket for mounting to engineered/slotted aluminum framing (example, 80/20™, Bosch) • Use with LPA-MBK-11, -12 or -13 • 12-ga. (2.66 mm) steel; black zinc plated • Includes 1 bracket and hardware 	<ul style="list-style-type: none"> • Pivoting "L" bracket system for two cascaded emitters/receivers; uses clamps from side-mount bracket LPA-MBK-12 • Adjustable 90° to 180° orientation • +10°/-30° sensor rotation • 14-ga. (1.9 mm) steel, black zinc plated
Cascading Mount	Cascading Mount	Bracket-to-Bracket	Cascading Mount
 <p>Used with</p>	 <p>Used with</p>	 <p>Used with</p>	 <p>Used with</p>
EZ-SCREEN LP 14 & 25 mm	EZ-SCREEN LP 14 & 25 mm	EZ-SCREEN LP 14 & 25 mm	EZ-SCREEN LP 14 & 25 mm



More on next page

LPA-MBK-22	LPA-MBK-90	LPA-MBK-PXXX	MSMB-3
 <p>All measurements in mm</p>	 <p>All measurements in mm</p>	 <p>All measurements in mm</p>	 <p>MSMMB* (included)</p> <p>All measurements in mm</p>
<p>Hole size: A = \varnothing 6.6</p>	<p>Hole center spacing: A, B, C, D, E = 10, B to C = 30, D to E = 50 Hole size: A = \varnothing 5.8, B, C, D, E = 15.5 x 5.5</p>	<p>Hole center spacing: A = 44.5, B = 40, D = 18 Hole size: A = 4.8 x 10.2, B = 7 x 26.8, C = 7 x 25</p>	<p>Hole center spacing: A = 44.5 Hole size: A = 10.2 x 4.8, B = \varnothing 30.5</p>
<ul style="list-style-type: none"> • End-cap bracket for mounting inside Unistrut® metal framing • Fits Unistrut® P1000 size (1 5/8"), with M6 or 1/4" channel nuts • 14-ga. (1.9 mm) steel, black zinc, plated; die-cast zinc clamp • Used with LPA-MBK-11 • Includes 2 brackets and hardware (does not include Unistrut® channel nuts) 	<ul style="list-style-type: none"> • Pair of angled L brackets for two cascaded emitter/receiver pairs • Fixed 90° orientation • +10°/-30° sensor rotation • 14-ga. (1.9 mm) steel, black zinc plated 	<ul style="list-style-type: none"> • L-shaped protective bracket for one emitter/receiver • Sized to match emitter/receiver length; replace XXX in model number with emitter/receiver size (example, LPA-MBK-P270 for use with SLP.-270) • +10°/-30° sensor rotation • 12-ga. (2.66 mm) steel, black zinc plated or painted 	<ul style="list-style-type: none"> • Two-bracket replacement kit for emitter/receiver • 11-ga. cold-rolled steel with black corrosion-resistant zinc chromate finish <p>* Includes 1 bracket from model MSMMB (see page 634 for dimensions).</p>
<p>Bracket-to-Bracket</p>	<p>Cascading Mount</p>	<p>Center Mount</p>	<p>End Mount</p>
 <p>Used with</p>	 <p>Used with</p>	 <p>Used with</p>	 <p>Used with</p>
<p>EZ-SCREEN LP 14 & 25 mm</p>	<p>EZ-SCREEN LP 14 & 25 mm</p>	<p>EZ-SCREEN LP 14 & 25 mm</p>	<p>High-Resolution MINI-ARRAY MINI-ARRAY</p>

- Accessories
- Brackets
- Cordsets
- Retroreflectors
- Miscellaneous
- Reference



MSMB-MSM-45	MSMMB	RMB100	RMB50
<p>All measurements in mm</p>	<p>All measurements in mm</p>	<p>All measurements in mm</p>	<p>All measurements in mm</p>
<p>Hole center spacing: A to B = 50.8 Hole size: A = \varnothing 7, B = 87.7 x 7</p>	<p>Hole center spacing: A = 44.5 Hole size: A = 10.2 x 4.8, B = \varnothing 13.2</p>	<p>Hole center spacing: A, B, A to B = 92, C, D, C to D = 77, G = 56 Hole size: A, B, C, D = \varnothing 0.5, E = \varnothing 4.8, F = \varnothing 4.5, G = 21.5 x 4.5</p>	<p>Hole center spacing: A, B = 34, A to B = 52, E = 26 Hole size: A, B = \varnothing 0.5, C = \varnothing 6.3, D = \varnothing 4.5, E = 13.8 X 4.5</p>
<ul style="list-style-type: none"> • Bracket for 45° mounting of mirror • 11-ga. cold-rolled steel with black corrosion-resistant zinc chromate finish • Bracket hardware included 	<ul style="list-style-type: none"> • Replacement (pair) for brackets that come with MSM mirrors • 11-ga. cold-rolled steel with black corrosion-resistant zinc chromate finish • Bracket hardware included 	<ul style="list-style-type: none"> • Protective mounting bracket for retroreflective targets • 14-ga. 316 stainless steel • Stainless steel M3 x 0.5 hardware included 	<ul style="list-style-type: none"> • Protective mounting bracket for retroreflective targets • 14-ga. 316 stainless steel • Stainless steel M3 x 0.5 hardware included
	End Mount	Round Targets	Round Targets
	<p>Used with</p>	<p>Used with</p>	<p>Used with</p>
Bracket-to-Bracket			
<p>Used with</p>	MSM Mirror		
		Square Targets	Square Targets
		<p>Used with</p>	<p>Used with</p>
			Rectangular Targets
			<p>Used with</p>
			<p>Used with</p> <p>BRT-60X40AF BRT-60X40C BRT-60X40IP69K</p>

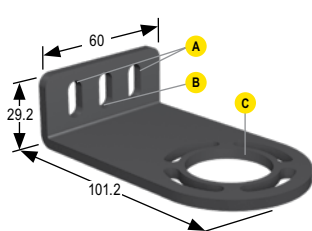
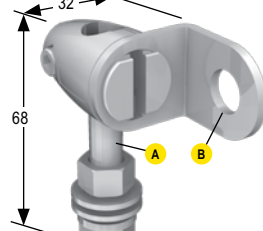
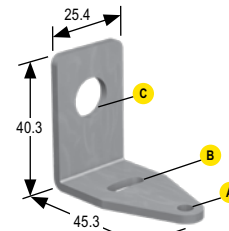
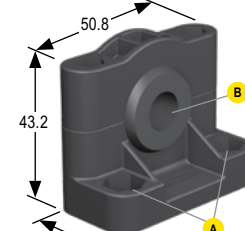
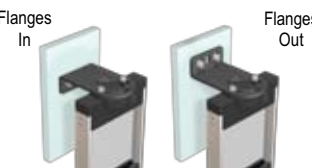
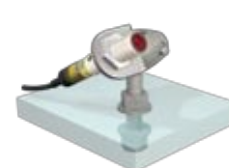
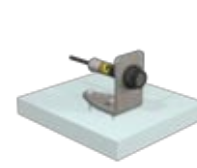

NOTE: For a kit containing a bracket and MSM4A mirror, order model number **MSA-MBM-K45**



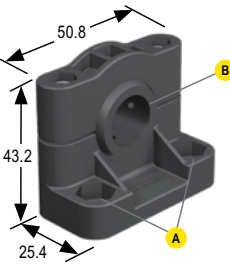
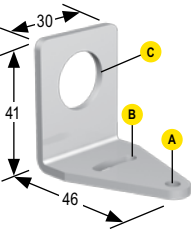
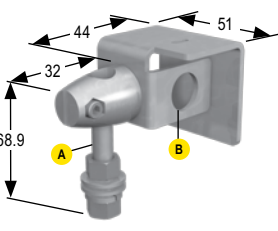
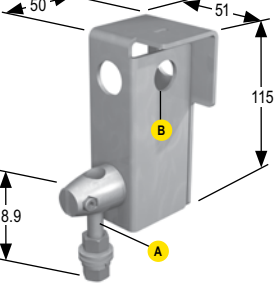

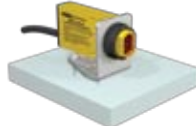



RMB85	SA-K50A18	SFA-IMB1	SFA-IMB2
<p>All measurements in mm</p>	<p>All measurements in mm</p>	<p>All measurements in mm</p>	<p>All measurements in mm</p>
<p>Hole center spacing: A, B, A to B = 77, E = 46 Hole size: A, B = \varnothing 0.5, C = \varnothing 4.8, D = \varnothing 4.5, E = 19 x 4.5</p>	<p>Hole size: A = \varnothing 30.5, B = \varnothing 20</p>	<p>Hole center spacing: A, B = 78, A to B = 10 Hole size: A = \varnothing 4.5, B = 8 x 4.5</p>	<p>Hole center spacing: A = 22 Hole size: A = \varnothing 4.5</p>
<ul style="list-style-type: none"> • Protective mounting bracket for retroreflective targets • 14-ga. 316 stainless steel • Stainless steel M3 x 0.5 hardware included 	<ul style="list-style-type: none"> • Protective mounting bracket for EZ-LIGHT K50 sensors • 12-ga. cold-rolled steel 	<ul style="list-style-type: none"> • Retrofit bracket for replacing SI-MAG1 Magnetic Interlock switches with PICO-GUARD switches • Black reinforced thermoplastic polyester • Multiple brackets can be used as spacers for ferrous material standoff for SI-MAG.. 	<ul style="list-style-type: none"> • Retrofit bracket for replacing SI-MAG2 Magnetic Interlock switches with PICO-GUARD switches • Black reinforced thermoplastic polyester • Multiple brackets can be used as spacers for ferrous material standoff for SI-MAG..
Round Targets	Base Mount	Flat Mount	Flat Mount
<p>Used with</p>	<p>Used with</p>	<p>Used with</p>	<p>Used with</p>
BRT-3	K50	PICO-GUARD Switches	PICO-GUARD Switches
Square Targets			
<p>Used with</p>			
BRT-77X77C			

- Accessories
- Brackets
- Cordsets
- Retroreflectors
- Miscellaneous
- Reference

More on next page

SMA-MBK-1	SMB12FA..	SMB12MM	SMB1812SF						
 <p>All measurements in mm</p>	 <p>All measurements in mm</p>	 <p>All measurements in mm</p>	 <p>All measurements in mm</p>						
<p>Hole center spacing: A = 31.5, A to B = 15.8 Hole size: A, B = 15 X 7, C = ø 32</p>	<table border="1"> <thead> <tr> <th>Model</th> <th>Bolt Thread (A)</th> </tr> </thead> <tbody> <tr> <td>SMB12FA</td> <td>3/8 - 16 x 2"</td> </tr> <tr> <td>SMB12FAM10</td> <td>M10 - 1.5 x 50</td> </tr> </tbody> </table> <p>Hole size: B = ø 12.1</p>	Model	Bolt Thread (A)	SMB12FA	3/8 - 16 x 2"	SMB12FAM10	M10 - 1.5 x 50	<p>Hole center spacing: A to B = 26 Hole size: A = ø 4.6, B = 12.8 x 4.6, C = ø 12.3</p>	<p>Hole center spacing: A = 36.1 Hole size: A = ø 5, B = ø 12</p>
Model	Bolt Thread (A)								
SMB12FA	3/8 - 16 x 2"								
SMB12FAM10	M10 - 1.5 x 50								
<ul style="list-style-type: none"> • Two-bracket replacement kit for brackets that come with SSM Mirrors • 8-ga. cold-rolled steel with black corrosion-resistant zinc chromate finish • Bracket hardware included 	<ul style="list-style-type: none"> • Swivel bracket with tilt and pan movement for precision adjustment • Easy sensor mounting to extruded rail T-slots • Metric and inch size bolts available • 12 mm sensor mounting hole 	<ul style="list-style-type: none"> • ±10° of lateral movement • 12-ga. stainless steel • Mounting holes for M4 (#6) hardware • 12 mm sensor mounting hole 	<ul style="list-style-type: none"> • Swivel bracket with 12 mm mounting hole • Black reinforced thermoplastic polyester • Stainless steel mounting and swivel locking hardware included 						
End Mount	Barrel Mount	Barrel Mount	Barrel Mount						
 <p>Used with</p>	 <p>Used with</p>	 <p>Used with</p>	 <p>Used with</p>						
SSM Mirror	M12 S12	M12 S12 PICO-GUARD Switches PICO-GUARD Points	PICO-GUARD Points						



SMB1815SF		SMB18A		SMB18AFA..		SMB18ATFA..													
																			
All measurements in mm		All measurements in mm		All measurements in mm		All measurements in mm													
Hole center spacing: A = 36 Hole size: A = \varnothing 5, B = \varnothing 15		Hole center spacing: A to B = 24.2 Hole size: A = \varnothing 4.6, B = 17 x 4.6, C = \varnothing 18.5		<table border="1"> <thead> <tr> <th>Model</th> <th>Bolt Thread (A)</th> </tr> </thead> <tbody> <tr> <td>SMB18AFA</td> <td>3/8 - 16 x 2"</td> </tr> <tr> <td>SMB18AFAM10</td> <td>M10 - 1.5 x 50</td> </tr> </tbody> </table>		Model	Bolt Thread (A)	SMB18AFA	3/8 - 16 x 2"	SMB18AFAM10	M10 - 1.5 x 50	<table border="1"> <thead> <tr> <th>Model</th> <th>Bolt Thread (A)</th> </tr> </thead> <tbody> <tr> <td>SMB18ATFA</td> <td>3/8 - 16 x 2"</td> </tr> <tr> <td>SMB18ATFAM10</td> <td>M10 - 1.5 x 50</td> </tr> </tbody> </table>		Model	Bolt Thread (A)	SMB18ATFA	3/8 - 16 x 2"	SMB18ATFAM10	M10 - 1.5 x 50
Model	Bolt Thread (A)																		
SMB18AFA	3/8 - 16 x 2"																		
SMB18AFAM10	M10 - 1.5 x 50																		
Model	Bolt Thread (A)																		
SMB18ATFA	3/8 - 16 x 2"																		
SMB18ATFAM10	M10 - 1.5 x 50																		
				Hole size: B = \varnothing 18.1		Hole size: B = \varnothing 18.1													
<ul style="list-style-type: none"> Swivel with set screws for mounting sensors by the cable hub Black reinforced thermoplastic polyester Stainless steel swivel locking hardware and hex wrench included 		<ul style="list-style-type: none"> Right-angle mounting bracket with a curved slot for versatile orientation 12-ga. stainless steel, 18 mm sensor mounting hole Clearance for M4 (#8) hardware 		<ul style="list-style-type: none"> Protective, swivel bracket with tilt and pan movement for precision adjustment Easy sensor mounting to extruded rail T-slots Metric and inch size bolts available Mounting hole for 18 mm sensors 		<ul style="list-style-type: none"> Protective, swivel bracket with tilt and pan movement for precision adjustment Easy sensor mounting to extruded rail T-slots Metric and inch size bolts available Mounting hole for 18 mm sensors 													
Base Mount		Barrel Mount		Barrel Mount		Barrel Mount													
																			
Used with		Used with		Used with		Used with													
T18 T18U T30	T30U EZ-LIGHT T18 EZ-LIGHT T30	QS18 MINI-BEAM M18 S18 T18 TM18 S18U	QS18U Q45UR M18C2 Q45UR S18C2 T18U EZ-LIGHT T18 EZ-LIGHT M18	T18 TM18 QS18		QS18 (AC/DC models) TM18													
		Base Mount																	
																			
		Used with																	
		Q25																	



More on next page

SMB18FA..		SMB18FM		SMB18Q		SMB18SF							
<p>All measurements in mm</p>		<p>All measurements in mm</p>		<p>All measurements in mm</p>		<p>All measurements in mm</p>							
<table border="1"> <thead> <tr> <th>Model</th> <th>Bolt Thread (A)</th> </tr> </thead> <tbody> <tr> <td>SMB18FA</td> <td>3/8 - 16 x 2"</td> </tr> <tr> <td>SMB18FAM10</td> <td>M10 - 1.5 x 50</td> </tr> </tbody> </table>		Model	Bolt Thread (A)	SMB18FA	3/8 - 16 x 2"	SMB18FAM10	M10 - 1.5 x 50	N/A		<p>Hole center spacing: A to B = 24.2 Hole size: A = \varnothing 4.6, B = 17 x 4.6, C = \varnothing 19</p>		<p>Hole center spacing: A = 36 Hole size: A = \varnothing 5.3, B = \varnothing 18</p>	
Model	Bolt Thread (A)												
SMB18FA	3/8 - 16 x 2"												
SMB18FAM10	M10 - 1.5 x 50												
<p>Hole size: B = \varnothing 18.1</p>													
<ul style="list-style-type: none"> Swivel bracket with tilt and pan movement for precision adjustment Easy sensor mounting to extruded rail T-slots Metric and inch size bolts available 18 mm sensor mounting hole 		<ul style="list-style-type: none"> Two-piece thermoplastic through-mount bracket Mounting nut (M22 x 1.5) and outer flange (M22 x 1.5 external, M18 x 1 internal) 		<ul style="list-style-type: none"> Right-angle flanged bracket 18 mm sensor mounting hole 12-ga. stainless steel 		<ul style="list-style-type: none"> 18 mm swivel bracket with M18 x 1 internal thread Black thermoplastic polyester Stainless steel swivel locking hardware included 							
Barrel Mount		Barrel Mount		Barrel Mount		Barrel Mount							
<p>Used with</p>		<p>Used with</p>		<p>Used with</p>		<p>Used with</p>							
QS18 MINI-BEAM S18/M18/T18 S18U TM18 QS18U	Q45UR M18C2 Q45UR S18C2 T18U EZ-LIGHT M18 EZ-LIGHT T18	QS18 M18 S18	T18 S18U QS18U	QS18 MINI-BEAM S18 M18 T18 TM18 S18U	QS18U Q45UR S18C2 Q45UR M18C2 T18U EZ-LIGHT T18 EZ-LIGHT M18	QS18 MINI-BEAM S18 M18 T18 S18U	QS18U Q45UR S18C2 Q45UR M18C2 T18U EZ-LIGHT T18 EZ-LIGHT M18						
Bracket-to-Bracket				Base Mount		Base Mount							
<p>Used with</p>				<p>Used with</p>		<p>Used with</p>							
SMBQS18A	SMBQS18YL			Q25		Q25							
SMBQS18Y	SMB4050YL												
Base Mount													
<p>Used with</p>													
Q25													
QS18 (AC/DC models)													

More on next page

SMB18UR		SMB22A		SMB3018SC		SMB30A	
All measurements in mm		All measurements in mm		All measurements in mm		All measurements in mm	
<p>Hole center spacing: A = 25.4, B = 46.7</p> <p>Hole size: A, B = 6.9 x 32, C = \varnothing 18.3</p>		<p>Hole center spacing: A to B = 26</p> <p>Hole size: A = \varnothing 4.6, B = 4.6 x 16.9, C = 22.2</p>		<p>Hole center spacing: A = 50.8</p> <p>Hole size: A = \varnothing 7, B = \varnothing 18</p>		<p>Hole center spacing: A to B = 40</p> <p>Hole size: A = \varnothing 6.3, B = 27.1 x 6.3, C = \varnothing 30.5</p>	
<ul style="list-style-type: none"> • 2-piece universal swivel bracket • 300 series stainless steel • Stainless steel swivel locking hardware included • Mounting hole for 18 mm sensor 		<ul style="list-style-type: none"> • Right-angle bracket with curved slot for versatile orientation • 12-ga. stainless steel • Mounting hole for 22 mm sensor 		<ul style="list-style-type: none"> • 18 mm swivel side or barrel-mount bracket • Black reinforced thermoplastic polyester • Stainless steel swivel locking hardware included 		<ul style="list-style-type: none"> • Right-angle bracket with curved slot for versatile orientation • Clearance for M6 (1/4") hardware • Mounting hole for 30 mm sensor • 12-ga. stainless steel 	
Barrel Mount		Base Mount		Barrel Mount		Barrel Mount	
<p>Used with</p>		<p>Used with</p>		<p>Used with</p>		<p>Used with</p>	
<p>QS18* MINI-BEAM S18 M18 T18 TM18 S18U</p>	<p>QS18U* Q45UR S18C2 Q45UR M18C2 T18U EZ-LIGHT T18 EZ-LIGHT M18</p>	K30L		<p>M18/S18/T18 S18U Q45UR S18C2</p>	<p>Q45UR M18C2 T18U EZ-LIGHT T18</p>	<p>QS30 SM30/SM130 S30 T30</p>	<p>T30U EZ-LIGHT T30 PICO-GUARD Point</p>
Base Mount				Side Mount		Base Mount	
<p>Used with</p>				<p>Used with</p>		<p>Used with</p>	
Q25				<p>QS18 MINI-BEAM</p>	<p>QM42/QMT42 QS18U</p>	<p>Q40 Q45 OMNI-BEAM OTB/LTB VTB STB Q45U</p>	<p>Q45UR QT50U QT50R K50 EZ-LIGHT K50L EZ-LIGHT TL50 EZ-LIGHT CL50 WL50 Work Lights</p>
* Contact factory to verify compatibility with integral QD models.				<p>Used with</p>			
				Q25			

- Accessories
- Brackets
- Cordsets
- Retroreflectors
- Miscellaneous
- Reference

More on next page

SMB30FA..		SMB30MM		SMB30Q		SMB30RAVK							
All measurements in mm		All measurements in mm		All measurements in mm		All measurements in mm							
<table border="1"> <thead> <tr> <th>Model</th> <th>Bolt Thread (A)</th> </tr> </thead> <tbody> <tr> <td>SMB30FA</td> <td>3/8 - 16 x 2"</td> </tr> <tr> <td>SMB30FAM10</td> <td>M10 - 1.5 x 50</td> </tr> </tbody> </table>		Model	Bolt Thread (A)	SMB30FA	3/8 - 16 x 2"	SMB30FAM10	M10 - 1.5 x 50	<p>Hole center spacing: A = 51, A to B = 25.4</p> <p>Hole size: A = 42.6 x 7, B = ø 6.4, C = ø 30.1</p>		<p>Hole center spacing: A to B = 40</p> <p>Hole size: A = ø 6.3, B = 27.1 x 6.3, C = ø 30.7</p>		<p>Hole size: A = ø 30.5</p>	
Model	Bolt Thread (A)												
SMB30FA	3/8 - 16 x 2"												
SMB30FAM10	M10 - 1.5 x 50												
<p>Hole size: B = ø 30.1</p> <ul style="list-style-type: none"> Swivel bracket with tilt and pan movement for precision adjustment Mounting hole for 30 mm sensor Metric and inch size bolt available Easy sensor mounting to extruded rail T-slot 		<ul style="list-style-type: none"> 12-ga. stainless steel bracket with curved mounting slots for versatility and orientation Clearance for M6 (1/4") hardware Mounting hole for 30 mm sensor 		<ul style="list-style-type: none"> Right-angle flanged mounting bracket with curved slot for versatile orientation 12-ga. stainless steel Mounting hole for 30 mm sensor 		<ul style="list-style-type: none"> V-clamp, right-angle bracket and fasteners for mounting sensors to pipe or extrusions Clamp accommodates 28 mm dia. tubing or 1" square extrusions 30 mm hole for mounting sensors 							
Barrel Mount		Barrel Mount		Barrel Mount		Barrel Mount							
Used with		Used with		Used with		Used with							
QS30 SM30/SMI30 S30	T30 T30U EZ-LIGHT T30	QS30 S30 SM30/SMI30 EZ-LIGHT T30	T30 T30U PICO-GUARD Point	QS30 SM30/SMI30 S30	T30 EZ-LIGHT T30	QS30 SM30/SMI30 S30	T30 T30U EZ-LIGHT T30						
Base Mount		Base Mount		Base Mount		Base Mount							
Used with		Used with		Used with		Used with							
Q40 Q45 Q45U Q45UR QT50U OMNI-BEAM OTB/LTB	VTB STB K50 QT50R EZ-LIGHT K50L EZ-LIGHT TL50 EZ-LIGHT CL50 WL50 Work Lights	Q40 Q45 OMNI-BEAM OTB/LTB VTB STB QT50U	Q45U Q45UR QT50R K50 EZ-LIGHT K50L EZ-LIGHT TL50 EZ-LIGHT CL50 WL50 Work Lights	Q40 Q45 OMNI-BEAM OTB/LTB VTB	STB Q45U Q45UR K50 EZ-LIGHT K50L WL50 Work Lights	Q40 Q45 Q45U Q45UR QT50U OMNI-BEAM OTB/LTB	VTB STB K50 EZ-LIGHT K50L EZ-LIGHT TL50 EZ-LIGHT CL50 WL50 Work Lights						



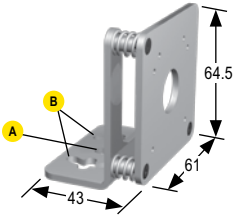
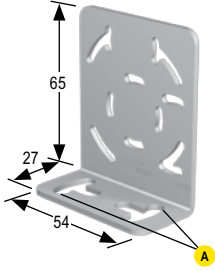
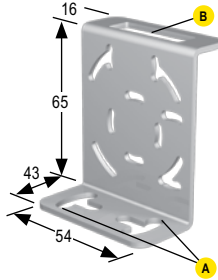
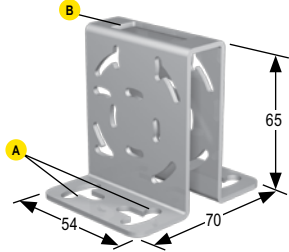





SMB30SC		SMB30SK		SMB30SUS		SMB30UR	
All measurements in mm		All measurements in mm		All measurements in mm		All measurements in mm	
Hole center spacing: A = 50.8 Hole size: A = \varnothing 7, B = \varnothing 30		Hole center spacing: A = 50.8 Hole size: A = \varnothing 7, B = \varnothing 18		Hole center spacing: A = 50.8, B = 24.1 Hole size: A = \varnothing 7, B = \varnothing 7.6		Hole center spacing: A to B = 31.8, B to C = 19, A to C = 50.8, D = 50.8 Hole size: A , B , C = 6.9 x 32, D = 73 x 6.9	
<ul style="list-style-type: none"> Swivel bracket with 30 mm mounting hole for sensor Black reinforced thermoplastic polyester Stainless steel mounting and swivel locking hardware included 		<ul style="list-style-type: none"> Flat-mount swivel bracket with extended range of motion Black reinforced thermoplastic polyester and 316 stainless steel Stainless steel swivel locking hardware included 		<ul style="list-style-type: none"> Side-mount swivel bracket with extended range of motion Black reinforced thermoplastic polyester Stainless steel swivel locking hardware included 		<ul style="list-style-type: none"> 2-piece universal swivel bracket for limit-switch style sensors 300 series stainless steel Stainless steel swivel locking hardware included 	
Barrel Mount		Barrel Mount		Side Mount		Side Mount	
Used with		Used with		Used with		Used with	
QS30 SM30/SM130 S30 T30	T30U EZ-LIGHT T30 PICO-GUARD Point	QS18 MINI-BEAM S18/M18/T18 T18U S18U	QS18U Q45UR S18C2 Q45UR M18C2 EZ-LIGHT T18 EZ-LIGHT M18	QS18 MINI-BEAM QM42/QMT42 QS18U	Q45 OMNI-BEAM Q45U Q45UR	More on next page	
Base Mount		Base Mount					
Used with		Used with					
Q40 Q45 OMNI-BEAM OTB/LTB VTB STB QT50U	Q45U Q45UR QT50R K50 EZ-LIGHT K50L EZ-LIGHT TL50 EZ-LIGHT CL50 WL50 Work Lights	Q25		Side Mount			
		Used with					
		QM42/QMT42					

SMB312B	SMB312PD	SMB312S	SMB4050YL
<p>All measurements in mm</p>	<p>All measurements in mm</p>	<p>All measurements in mm</p>	<p>All measurements in mm</p>
<p>Hole center spacing: A to B = 17.3, B to C = 17.7, A to C = 35 Hole size: A = \varnothing 6.9, B = 4.3 x 10.5, C = 3.1 x 15.2</p>	<p>Hole center spacing: A to B = 24.2 Hole size: A = \varnothing 4.6, B = 17 x 4.6, C = \varnothing 18.5</p>	<p>Hole center spacing: A = 20.3, B to C = 5.1 Hole size: A = 4.3 x 7.5, B = \varnothing 3, C = 3 x 15.3</p>	<p>A = \varnothing 15.3</p>
<ul style="list-style-type: none"> Right-angle Stainless steel base mounting bracket Includes mounting foot 	<ul style="list-style-type: none"> Right-angle mounting bracket with a curved slot for versatile orientation 12-ga. stainless steel, 18 mm sensor mounting hole Clearance for M4 (#8) hardware <p>NOTE: Not for use with plastic fiber optic sensors</p>	<ul style="list-style-type: none"> Stainless steel 2-axis side-mounting bracket 	<ul style="list-style-type: none"> Heavy-duty die-cast bracket for industrial protection Replaceable window for use with some sensor models M18 vertical mounting option Nut and lock washer included
Base Mount	Barrel Mount	Side Mount	Base Mount
<p>Used with</p>	<p>Used with</p>	<p>Used with</p>	<p>Used with</p>
MINI-BEAM	<p>QS18 MINI-BEAM S18 M18 T18 TM18 S18U</p>	<p>QS18U Q45UR S18C2 Q45UR M18C2 T18U EZ-LIGHT T18 EZ-LIGHT M18</p>	QS18 DC Models (except AF)
	Base Mount		
	<p>Used with</p>		
	Q25		

More on next page

SMB42F	SMB42L	SMB42T	SMB42U
<p>All measurements in mm</p>	<p>All measurements in mm</p>	<p>All measurements in mm</p>	<p>All measurements in mm</p>
<p>Hole center spacing: A = 10, B = 25.4 Hole size: A = \varnothing 3.4, B = \varnothing 2.5</p>	<p>Hole center spacing: A = 10, B = 25.4 Hole size: A = \varnothing 3.4, B = \varnothing 2.5</p>	<p>Hole center spacing: A = 20.3, B to C = 5.1 Hole size: A = 4.3 x 7.5, B = \varnothing 3, C = 3 x 15.3</p>	<p>Hole center spacing: A = 30, B = 25.4 Hole size: A = \varnothing 3.4, B = \varnothing 2.5</p>
<ul style="list-style-type: none"> • 13-ga. stainless steel • Hardware included 	<ul style="list-style-type: none"> • 13-ga. stainless steel • Hardware included 	<ul style="list-style-type: none"> • Stainless steel 2-axis side-mounting bracket • Nut strap included for replacing two M3 mounting nuts 	<ul style="list-style-type: none"> • 13-ga. stainless steel • Hardware included
Side Mount	Side Mount	Side Mount	Side Mount
<p>Used with</p>	<p>Used with</p>	<p>Used with</p>	<p>Used with</p>
QM42/QMT42	QM42/QMT42	QM42/QMT42	QM42/QMT42

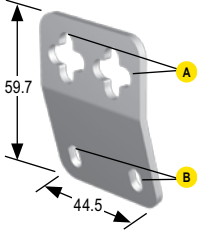
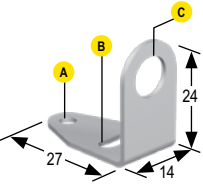
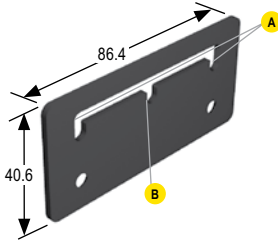
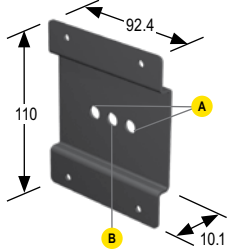




More on next page

SMB46A	SMB46L	SMB46S	SMB46U			
 <p>All measurements in mm</p>	 <p>All measurements in mm</p>	 <p>All measurements in mm</p>	 <p>All measurements in mm</p>			
<p>Hole center spacing: A to B = 18.5, B = 30.5 Hole size: A = \varnothing 6.6, B = 7.1 x 20.3</p>	<p>Hole center spacing: A = 16 Hole size: A = 16.5 x 18.7</p>	<p>Hole center spacing: A = 16 Hole size: A = 16.5 x 18.7, B = 34 x 10</p>	<p>Hole center spacing: A = 16 Hole size: A = 16.5 x 18.7, B = 34 x 13</p>			
<ul style="list-style-type: none"> • 2-piece 12-ga. stainless steel bracket assembly with precision sensor alignment adjustment • 2 mm hex key included 	<ul style="list-style-type: none"> • Right-angle • L bracket • 14-ga. 316 stainless steel 	<ul style="list-style-type: none"> • Right-angle • S bracket • 14-ga. 316 stainless steel 	<ul style="list-style-type: none"> • Right-angle • U bracket for sensor protection • 14-ga. 316 stainless steel 			
Barrel Mount	Side Mount	Side Mount	Side Mount			
 <p>Used with</p>	 <p>Used with</p>	 <p>Used with</p>	 <p>Used with</p>			
<p>QS18 Lasers S18 Laser Emitter QS18U</p>	<p>QS18 MINI-BEAM QS30</p>	<p>PicoDot QM42/QMT42 QS18U</p>	<p>QS18 MINI-BEAM QS30</p>	<p>PicoDot QM42 QS18U</p>	<p>QS18 MINI-BEAM PicoDot</p>	<p>QM42 QS18U</p>
Side Mount						
 <p>Used with</p>						
PicoDot						

More
on next
page

SMB50RFA..		SMB55A	SMB55F	SMB55RA						
<p>All measurements in mm</p>		<p>All measurements in mm</p>	<p>All measurements in mm</p>	<p>All measurements in mm</p>						
<table border="1"> <thead> <tr> <th>Model</th> <th>Bolt Thread (A)</th> </tr> </thead> <tbody> <tr> <td>SMB50RFA</td> <td>3/8 - 16 x 2"</td> </tr> <tr> <td>SMB50RFAM10</td> <td>M10 - 1.5 x 50</td> </tr> </tbody> </table>		Model	Bolt Thread (A)	SMB50RFA	3/8 - 16 x 2"	SMB50RFAM10	M10 - 1.5 x 50	<p>Hole center spacing: A = 24.1, B = 27.9 Hole size: A = 12.7 x 11.4, B = 24.8 x 7.6</p>	<p>Hole center spacing: A = 24.1, B = 27.9 Hole size: A = 12.7 x 11.4, B = 24.8 x 7.6</p>	<p>Hole center spacing: A = 24.1, B = 27.9 Hole size: A = 12.7 x 11.4, B = 24.8 x 7.6</p>
Model	Bolt Thread (A)									
SMB50RFA	3/8 - 16 x 2"									
SMB50RFAM10	M10 - 1.5 x 50									
<p>Hole size: B = 5.4</p> <ul style="list-style-type: none"> Swivel bracket with tilt and pan movement for precision adjustment Easy sensor mounting to extruded rail T-slots Metric and inch size bolt available 50 mm diameter plate for mounting a reflector 		<ul style="list-style-type: none"> 15° offset bracket 12-ga. stainless steel 	<ul style="list-style-type: none"> Flat-mount bracket 12-ga. stainless steel 	<ul style="list-style-type: none"> Right-angle bracket 12-ga. stainless steel 						
Base Mount		Side Mount	Side Mount	Side Mount						
<p>Used with</p>		<p>Used with</p>	<p>Used with</p>	<p>Used with</p>						
BRT-35DM BRT-50D BRT-42D BRT-34T		R58E/R58A QL56/QL51	R58E/R58A QL56/QL51	R58E/R58A QL56/QL51						

More on next page

SMB55S	SMB8MM	SMBABM	SMBACM
 <p>All measurements in mm</p>	 <p>All measurements in mm</p>	 <p>All measurements in mm</p>	 <p>All measurements in mm</p>
<p>Hole center spacing: A = 30.5, B = 28 Hole size: A = 12.7 x 11.4, B = 5.2 x 8.9</p>	<p>Hole center spacing: A to B = 14 Hole size: A = \varnothing 3.5, B = 8.3 x 3.5, C = \varnothing 8.4</p>	<p>Hole center spacing: A = 61, A to B = 30.5 Hole size: A, B = 9.1 x 2.3</p>	<p>Hole center spacing: A = 30, A to B = 15 Hole size: A = \varnothing 5 (M16), B = \varnothing 5 (1/4 - 20)</p>
<ul style="list-style-type: none"> • 15° offset bracket • 12-ga. stainless steel 	<ul style="list-style-type: none"> • Right-angle bracket • 300 series stainless steel 	<ul style="list-style-type: none"> • Surface-mount bracket for mounting light from front • Black corrosion-resistant zinc finish • Hardware included 	<ul style="list-style-type: none"> • Column-mount bracket • Black corrosion-resistant zinc finish • Hardware included
Side Mount	Barrel Mount	Flat Mount	Back Mount
 <p>Used with</p>	 <p>Used with</p>	 <p>Used with</p>	 <p>Used with</p>
R58E/R58A QL56/QL51	T8 IT23S (Glass Fiber) BT23S (Glass Fiber) EZ-LIGHT T8L	Area Lights (80 x 80 mm) Backlights (70 x 70 mm)	Area Lights (80 x 80 mm) Backlights (70 x 70 mm)

NOTE: Shown with optional **SMBPPK6** mounting kit (see page 724).

More on next page

SMBAMS18P		SMBAMS18RA		SMBAMS22P		SMBAMS22RA	
All measurements in mm		All measurements in mm		All measurements in mm		All measurements in mm	
<p>Hole center spacing: A = 26, A to B = 13</p> <p>Hole size: A = 26.8 x 7, B = ø 6.5, C = ø 19</p>		<p>Hole center spacing: A = 26, A to B = 13</p> <p>Hole size: A = 26.8 x 7, B = ø 6.5, C = ø 19</p>		<p>Hole center spacing: A = 26, A to B = 13</p> <p>Hole size: A = 26.8 x 7, B = ø 6.5, C = ø 22.5</p>		<p>Hole center spacing: A = 26, A to B = 13</p> <p>Hole size: A = 26.8 x 7, B = ø 6.5, C = ø 22.5</p>	
<ul style="list-style-type: none"> • Flat SMBAMS series bracket with 18 mm hole for mounting sensors • Articulation slots for 90+° rotation • 12-ga. (2.6 mm) cold-rolled steel 		<ul style="list-style-type: none"> • Right-angle SMBAMS series bracket with 18 mm hole for mounting sensors • Articulation slots for 90+° rotation • 12-ga. (2.6 mm) cold-rolled steel 		<ul style="list-style-type: none"> • Flat SMBAMS series bracket with 22 mm hole for mounting sensors • Articulation slots for 90+° rotation • 12-ga. (2.6 mm) cold-rolled steel 		<ul style="list-style-type: none"> • Right-angle SMBAMS series bracket with 22 mm hole for mounting sensors • Articulation slots for 90+° rotation • 12-ga. (2.6 mm) cold-rolled steel 	
Barrel Mount		Barrel Mount		Base Mount		Base Mount	
Used with		Used with		Used with		Used with	
QS18 MINI-BEAM S18 M18 T18 TM18 S18U	T18U Q45UR S18C2 Q45UR M18C2 QS18U EZ-LIGHT T18 EZ-LIGHT M18	QS18 MINI-BEAM S18 M18 T18 TM18 S18U	T18U QS18U Q45UR S18C2 Q45UR M18C2 EZ-LIGHT T18 EZ-LIGHT M18	K30L		K30L	

More on next page

SMBAMS30P		SMBAMS30PL52		SMBAMS30PL52R		SMBAMS30RA	
<p>All measurements in mm</p>		<p>All measurements in mm</p>		<p>All measurements in mm</p>		<p>All measurements in mm</p>	
<p>Hole center spacing: A = 26, A to B = 13 Hole size: A = 26.8 x 7, B = ø 6.5, C = ø 31</p>		<p>Hole center spacing: A = 26, A to B = 13 Hole size: A = 26.8 x 7, B = ø 6.5, C = ø 31</p>		<p>Hole center spacing: A = 26, A to B = 13 Hole size: A = 26.8 x 7, B = ø 6.5, C = ø 31</p>		<p>Hole center spacing: A = 26, A to B = 13 Hole size: A = 26.8 x 7, B = ø 6.5, C = ø 31</p>	
<ul style="list-style-type: none"> • Flat SMBAMS series bracket with 30 mm hole for mounting sensors • Articulation slots for 90+° rotation • 12-ga. (2.6 mm) cold-rolled steel 		<ul style="list-style-type: none"> • Flat SMBAMS series bracket with space for 70 x 40 mm label • 30 mm hole for mounting sensors • Articulation slots for 90+° rotation • 12-ga. (2.6 mm) cold-rolled steel 		<ul style="list-style-type: none"> • Flat SMBAMS series bracket with space for 60 x 58 mm label • 30 mm hole for mounting sensors • Articulation slots for 90+° rotation • 12-ga. (2.6 mm) cold-rolled steel 		<ul style="list-style-type: none"> • Right-angle SMBAMS series bracket with 30 mm hole for mounting sensors • Articulation slots for 90+° rotation • 12-ga. (2.6 mm) cold-rolled steel 	
Barrel Mount		Barrel Mount		Barrel Mount		Barrel Mount	
<p>Used with</p>		<p>Used with</p>		<p>Used with</p>		<p>Used with</p>	
QS30 S30 SM30/SMI30 T30	T30U EZ-LIGHT T30 PICO-GUARD Point	EZ-LIGHT T30		EZ-LIGHT T30		QS30 S30 SM30/SMI30 T30	T30U EZ-LIGHT T30 PICO-GUARD Point
Base Mount		Base Mount		Base Mount		Base Mount	
<p>Used with</p>		<p>Used with</p>		<p>Used with</p>		<p>Used with</p>	
Q40 Q45 OMNI-BEAM OTB/LTB VTB STB QT50R	QT50U Q45U Q45UR K50 EZ-LIGHT K50L EZ-LIGHT TL50 EZ-LIGHT CL50 WL50 Work Lights	VTB K50 EZ-LIGHT K50L EZ-LIGHT CL50		VTB K50 EZ-LIGHT K50L EZ-LIGHT CL50		Q40 Q45 OMNI-BEAM OTB/LTB VTB STB Q45U	Q45UR QT50U QT50R K50 EZ-LIGHT K50L EZ-LIGHT TL50 EZ-LIGHT CL50 WL50 Work Lights



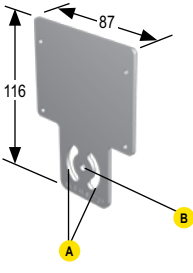
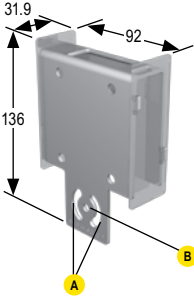
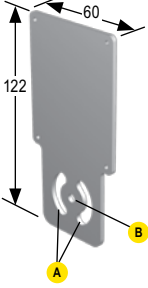
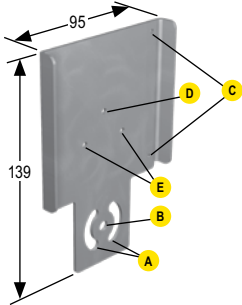





SMBAMS30RLJ	SMBAMS30RLS	SMBAMS70A	SMBAMS70AS
<p>All measurements in mm</p>	<p>All measurements in mm</p>	<p>All measurements in mm</p>	<p>All measurements in mm</p>
<p>Hole center spacing: A = 26, A to B = 13 Hole size: A = 26.8 x 7, B = ø 6.5, C = ø 31</p>	<p>Hole center spacing: A = 26, A to B = 13 Hole size: A = 26.8 x 7, B = ø 6.5, C = ø 31</p>	<p>Hole center spacing: A = 26, A to B = 13 Hole size: A = 26.8 x 7, B = ø 6.5, C = ø 7</p>	<p>Hole center spacing: A = 26, A to B = 13 Hole size: A = 26.8 x 7, B = ø 6.5, C = ø 7</p>
<ul style="list-style-type: none"> • Right-angle SMBAMS series bracket with 70 x 40 mm space for label • 30 mm hole for mounting sensor • Articulation slots for 90+° rotation • 12-ga. (2.6 mm) cold-rolled steel 	<ul style="list-style-type: none"> • Right-angle SMBAMS series bracket with 62 x 26 mm space for label • 30 mm hole for mounting sensor • Articulation slots for 90+° rotation • 12-ga. (2.6 mm) cold-rolled steel 	<ul style="list-style-type: none"> • Right-angle zinc-plated cold-rolled steel • Articulated slots for 90+° rotation • Two 1/4-20 screws included 	<ul style="list-style-type: none"> • Right-angle, 12-ga. 316 stainless steel • Articulated slots for 90+° rotation • Four 1/4-20 stainless steel screws included
Barrel Mount	Barrel Mount	Back Mount	Side Mount
<p>Used with</p>	<p>Used with</p>	<p>Used with</p>	<p>Used with</p>
EZ-LIGHT T30	EZ-LIGHT T30L	Area Light (70 mm)	Sealed Area Light (70 mm)
Base Mount	Base Mount		
<p>Used with</p>	<p>Used with</p>		
VTB K50 EZ-LIGHT K50L EZ-LIGHT CL50	VTB K50 EZ-LIGHT K50L EZ-LIGHT CL50		

- Accessories
- Brackets
- Cordsets
- Retroreflectors
- Miscellaneous
- Reference

More on next page

SMBAMS80PL52	SMBAMS80PL52R	SMBAMSBRA	SMBAMSLT3IP
<p>All measurements in mm</p>	<p>All measurements in mm</p>	<p>All measurements in mm</p>	<p>All measurements in mm</p>
<p>Hole center spacing: A = 26, A to B = 13, C = 65 Hole size: A = 26.8 x 7, B = ø 6.5, C = 4.2</p>	<p>Hole center spacing: A = 26, A to B = 13, C = 65 Hole size: A = 26.8 x 7, B = ø 6.5, C = 4.2</p>	<p>Hole center spacing: A = 26, A to B = 13 Hole size: A = 26.8 x 7, B = ø 6.5</p>	<p>Hole center spacing: A = 26, A to B = 13 Hole size: A = 26.8 x 7, B = ø 6.5</p>
<ul style="list-style-type: none"> • Flat SMBAMS series bracket with 65 x 80 mm space for label • Articulation slots for 90+° rotation • 12-ga. (2.6 mm) cold-rolled steel 	<ul style="list-style-type: none"> • Flat SMBAMS series bracket with 65 x 80 mm space for label • Articulation slots for 90+° rotation • 12-ga. (2.6 mm) cold-rolled steel 	<ul style="list-style-type: none"> • Right-angle base piece for SMBAMS series of versatile mounting hardware • Four point hole pattern to integrate with articulation slots in SMBAMS series brackets • 12-ga. (2.6 mm) cold-rolled steel 	<ul style="list-style-type: none"> • Industrial protection SMBAMS series bracket for LT3 with replaceable window • Articulation slots for 90+° rotation • 12-ga. 300 series stainless steel
Back Mount	Back Mount	Bracket-to-Bracket	Side Mount
<p>Used with</p>	<p>Used with</p>	<p>Used with</p>	<p>Used with</p>
EZ-LIGHT K80L EZ-LIGHT K80 DX80 DX70 DX99 DX85	EZ-LIGHT K80L EZ-LIGHT K80 DX80 DX70 DX99 DX85	SMBAMSBRA* SMBAMS18P SMBAMS18RA SMBAMS22P SMBAMS22RA SMBAMS30P SMBAMS30PL52 SMBAMS30PL52R SMBAMS30RLJ	SMBAMS30RLS SMBAMS30RA SMBAMS80PL52 SMBAMS80PL5R SMBAMSLT3IP SMBAMSLT3P SMBAMSQ60IP SMBAMSQ60P SMBAMSR85P
<p>* Multiple SMBAMSBRA base brackets can be integrated together to allow for additional points of articulation</p>			

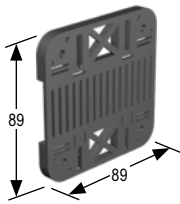
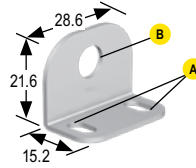
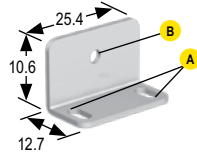
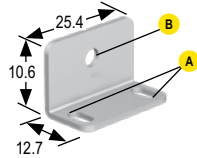

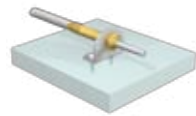


More on next page

SMBAMSLT3P	SMBAMSQ60IP	SMBAMSQ60P	SMBAMSR85P
 <p>All measurements in mm</p>	 <p>All measurements in mm</p>	 <p>All measurements in mm</p>	 <p>All measurements in mm</p>
<p>Hole center spacing: A = 26, A to B = 13 Hole size: A = 26.8 x 7, B = ø 6.5</p>	<p>Hole center spacing: A = 26, A to B = 13 Hole size: A = 26.8 x 7, B = ø 6.5</p>	<p>Hole center spacing: A = 26, B = 13 Hole size: A = 26.8 x 7, B = ø 6.5</p>	<p>Hole center spacing: A = 26, B = 13, C = 77, E = 30 Hole size: A = 26.8 x 7, B = ø 6.5, C = 2.3, D = 3.2, E = 3.2</p>
<ul style="list-style-type: none"> • Flat SMBAMS series bracket for mounting LT3 • Articulation slots for 90+° rotation • 12-ga. (2.6 mm) 300 series stainless steel 	<ul style="list-style-type: none"> • Industrial protection SMBAMS series bracket for Q60 with replaceable window • Articulation slots for 90+° rotation • 12-ga. (2.6 mm) 300 series stainless steel 	<ul style="list-style-type: none"> • Flat SMBAMS series bracket for mounting Q60 • Articulation slots for 90+° rotation • 12-ga. 300 series stainless steel 	<ul style="list-style-type: none"> • Flat SMBAMS series bracket for mounting reflectors • Articulation slots for 90+° rotation • 14-ga. 300 series stainless steel
Side Mount	Side Mount	Side Mount	Round Targets
 <p>Used with</p>	 <p>Used with</p>	 <p>Used with</p>	 <p>Used with</p>
LT3	Q60	Q60	BRT-84
			<p>Square Targets</p>  <p>Used with</p>
			<p>BRT-77X77C BRT-51X51BM</p>



SMBAMSRAB	SMBARP..30	SMBASCM	SMBBSSM								
<p>All measurements in mm</p>	<p>All measurements in mm</p>	<p>All measurements in mm</p>	<p>All measurements in mm</p>								
<p>Hole center spacing: A to B = 12 B to C = 11, A to C = 23, A to D = 55, E to E = 50.8 Hole size: A, B, C, D = 6.9 x 32, E = 6.9 x 89.4</p>	<p>Hole center spacing: A = 69.9 Hole size: A = \varnothing 12.8</p>	<p>Hole center spacing: A = 25.4, A to B = 12.7 Hole size: A = \varnothing 5 (M16), B = \varnothing 5 (1/4-20)</p>	<p>Hole center spacing: A = 167.8 Hole size: A = \varnothing 5.5</p>								
<ul style="list-style-type: none"> 10-ga. (3.4 mm) cold-rolled steel with zinc finish Retrofit WORLD-BEAM QS30 in place of MULTI-BEAM, MAXI-BEAM, Q45, OMNI-BEAM and VALU-BEAM sensors 	<table border="1"> <thead> <tr> <th>Model</th> <th>Rope Pull</th> </tr> </thead> <tbody> <tr> <td>SMBARPL30</td> <td>Left</td> </tr> <tr> <td>SMBARPR30</td> <td>Right</td> </tr> <tr> <td>SMBARPB30</td> <td>Both</td> </tr> </tbody> </table>	Model	Rope Pull	SMBARPL30	Left	SMBARPR30	Right	SMBARPB30	Both	<ul style="list-style-type: none"> Column-mount bracket 316 stainless steel Stainless steel hardware included 	<ul style="list-style-type: none"> Surface-mount bracket 316 stainless steel Stainless steel hardware included Set of two brackets
Model	Rope Pull										
SMBARPL30	Left										
SMBARPR30	Right										
SMBARPB30	Both										
Barrel Mount	Base Mount	Back Mount	Back Mount								
<p>Used with</p>	<p>Used with</p>	<p>Used with</p>	<p>Used with</p>								
QS30*	K50	Sealed Area Light (70 mm)	Backlights (75 x 150 mm) Backlights (150 x 150 mm) Backlights (150 x 225 mm) Backlights (150 x 300 mm) WLA Work Lights								
* Requires a SMBAMS30RA bracket (sold separately)		NOTE: Shown with optional SMBPPK6 mounting kit (see page 724).									



SMBDX80DIN		SMBF	SMBFP3	SMBFP4
				
All measurements in mm		All measurements in mm	All measurements in mm	All measurements in mm
N/A		Hole center spacing: A = 19.1 Hole size: A = 8 x 4.6, B = \varnothing 8.3	Hole center spacing: A = 19.1 Hole size: A = 6.5 x 3.6, B = \varnothing 3.2	Hole center spacing: A = 19.1 Hole size: A = 6.5 x 3.6, B = \varnothing 4.2
<ul style="list-style-type: none"> • Black reinforced thermoplastic • Bracket for mounting on 35 mm DIN rail 		<ul style="list-style-type: none"> • Right-angle bracket for glass fiber optic with 5/16"-24 threaded tip • 18-ga. stainless steel 	<ul style="list-style-type: none"> • Right-angle bracket for glass fiber optic with 3 mm threaded tip • 18-ga. stainless steel 	<ul style="list-style-type: none"> • Right-angle bracket for plastic fiber optic with 4 mm threaded tip • 18-ga. stainless steel
Back Mount		Barrel Mount	Barrel Mount	Barrel Mount
				
Used with		Used with	Used with	Used with
K80 EZ-LIGHT K80L EZ-LIGHT K80CLR EZ-LIGHT SP150 DX80	DX70 DX85 DX81 DX90 DX91	Glass fiber with 5/16" - 24 threaded tip	Plastic fiber with M3 tip	Plastic fiber with M4 tip

- Accessories
- Brackets
- Cordsets
- Retroreflectors
- Miscellaneous
- Reference

More on next page

SMBFP4N	SMBFP6	SMBIVUB	SMBIVURAL
<p>All measurements in mm</p>	<p>All measurements in mm</p>	<p>All measurements in mm</p>	<p>All measurements in mm</p>
<p>Hole center spacing: A = 12 Hole size: A = 4.8 x 5, B = \varnothing 4.2</p>	<p>Hole center spacing: A = 19.1 Hole size: A = 6.5 x 3.6, B = \varnothing 6.2</p>	<p>Hole center spacing: A = 35, A to B = 18 Hole size: A, B = \varnothing 4.4</p>	<p>Hole center spacing: A = 36.4, B = 26 Hole size: A = 4.4 x 6.4, B = 7 x 26, C = 1/4-20</p>
<ul style="list-style-type: none"> • Low-profile right-angle bracket for plastic fiber optics with 4 mm threaded tip • 18-ga. stainless steel 	<ul style="list-style-type: none"> • Right-angle bracket for plastic fiber optics with 6 mm threaded tip • 18-ga. stainless steel 	<ul style="list-style-type: none"> • Bottom mounting bracket • Black anodized aluminum • Hardware included 	<ul style="list-style-type: none"> • Right-angle bracket for mounting sensor from the left • 12-ga. stainless steel • Hardware included
Barrel Mount	Barrel Mount	Bottom Mount	Bottom Mount
<p>Used with</p>	<p>Used with</p>	<p>Used with</p>	<p>Used with</p>
Plastic fiber with M4 tip	Plastic fiber with M6 tip	iVu iVu Plus	iVu iVu Plus
<p>NOTE: Shown with optional SMBPPK6 mounting kit (see page 724).</p>			

More on next page

SMBIVURAR	SMBIVUU	SMBLASRA	SMBLAXRA
<p>All measurements in mm</p>	<p>All measurements in mm</p>	<p>All measurements in mm</p>	<p>All measurements in mm</p>
<p>Hole center spacing: A = 36.4, B = 26 Hole size: A = 4.4 x 6.4, B = 7 x 26, C = 1/4-20</p>	<p>Hole center spacing: A = 26, C = 30, C to D = 42 Hole size: A = 6.5 x 3.6, B = \varnothing 6.6, C, D = 5.4</p>	<p>Hole center spacing: A, B = 45, A to B = 22.5 Hole size: A = \varnothing 6.6, B = 6.6 x 12.4</p>	<p>Hole center spacing: A = 26, B = 45, C to D & B to C = 22.5, E = 4.5 Hole size: A = 7 x 26, B, C, D = \varnothing 6.6, E = \varnothing 5.4</p>
<ul style="list-style-type: none"> • Right-angle bracket for mounting sensor from right • 12-ga. stainless steel • Hardware included 	<ul style="list-style-type: none"> • U-shaped swivel bracket kit includes SMBIVUB • 14-ga. stainless steel • Hardware included 	<ul style="list-style-type: none"> • Right-angle metal bracket • May be used individually or two used in combination • 316 stainless steel bracket and hardware • Set of two brackets 	<ul style="list-style-type: none"> • Right-angle metal bracket • May be used individually or with SMLAXU to provide swivel adjustment • 316 stainless steel bracket and hardware • Set of two brackets
Bottom Mount	Bottom Mount	Back Mount	Side Mount
<p>Used with</p>	<p>Used with</p>	<p>Used with</p>	<p>Used with</p>
iVu iVu Plus	iVu iVu Plus	Sealed Linear Array Lights (IP68)	Linear Array Lights (IP50)

More on next page

SMBLAXU	SMBLBCZB	SMBLG	SMBLGA
<p style="text-align: center;">All measurements in mm</p>	<p style="text-align: center;">All measurements in mm</p>	<p style="text-align: center;">All measurements in mm</p>	<p style="text-align: center;">All measurements in mm</p>
<p>Hole center spacing: A = 26, B = 45, C to D & B to C = 22.5 Hole size: A = 7 x 26, B, C, D = \varnothing 6.6</p>	<p>Hole center spacing: A = 107 Hole size: A = \varnothing 5.2</p>	<p>Hole center spacing: A = 56, A to B = 20, C = 44.5, C to D = 14 Hole size: A = 19.1 x 14.2, B = \varnothing 6.3, C = 19.3 x 15.3, D = \varnothing 6.3</p>	<p>Hole center spacing: A = 56, A to B = 20, C = 44.5, C to D = 14 Hole size: A = 19.1 x 14.2, B = \varnothing 6.3, C = 19.3 x 15.3, D = \varnothing 6.3</p>
<ul style="list-style-type: none"> • U-shaped metal bracket • Used with SMBLAXRA to provide swivel adjustment • 316 stainless steel bracket and hardware • Set of two brackets 	<ul style="list-style-type: none"> • U-shaped bracket for mounting EZ-ARRAY emitter/receiver 67 mm apart • 8-ga. (4 mm) cold-rolled steel, black zinc plated 	<ul style="list-style-type: none"> • LG series sensor mounting bracket • 304 stainless steel 	<ul style="list-style-type: none"> • LG series adjustable bracket assembly • Precision adjustment screws • 304 stainless steel
Side Mount	Side Mount	Side Mount	Side Mount
<p>Used with</p>	<p>Used with</p>	<p>Used with</p>	<p>Used with</p>
Linear Array Lights (IP50)	EZ-ARRAY	LG5 LG10	LG5 LG10



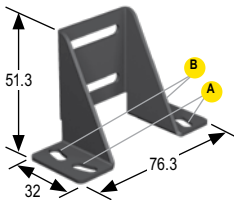
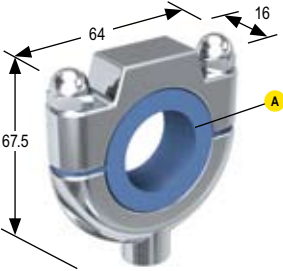
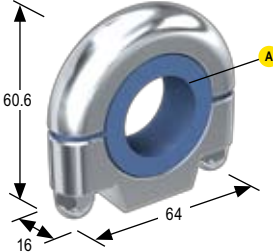
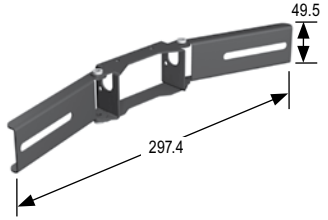


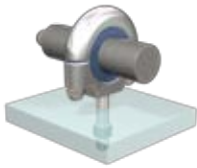

SMBLH1	SMBLH..	SMBLT31	SMBLT32												
<p>All measurements in mm</p>	<p>All measurements in mm</p>	<p>All measurements in mm</p>	<p>All measurements in mm</p>												
<p>Hole size: A = M4</p>	<table border="1"> <thead> <tr> <th>Model</th> <th>Height (H)</th> <th>Used with</th> </tr> </thead> <tbody> <tr> <td>SMBLH30</td> <td>208</td> <td>LH30</td> </tr> <tr> <td>SMBLH80</td> <td>358</td> <td>LH80</td> </tr> <tr> <td>SMBLH150</td> <td>608</td> <td>LH150</td> </tr> </tbody> </table>	Model	Height (H)	Used with	SMBLH30	208	LH30	SMBLH80	358	LH80	SMBLH150	608	LH150	<p>Hole center spacing: A to C = 47.5, B to B = 24.1 Hole size: A = 13.2 x 5, B = \varnothing 4, C = \varnothing 5</p>	<p>Hole center spacing: A = 80 Hole size: A = 5 x 12</p>
Model	Height (H)	Used with													
SMBLH30	208	LH30													
SMBLH80	358	LH80													
SMBLH150	608	LH150													
<ul style="list-style-type: none"> • Main mounting bracket for LH sensor • T-slot or "bolt-on" bracket for mounting one sensor • Anodized Aluminum 	<p>Hole size: A = M4</p> <ul style="list-style-type: none"> • LH series adjustable bracket • Brackets for thickness and displacement measurement • Anodized Aluminum 	<ul style="list-style-type: none"> • Right-angle bracket • 300 stainless steel 	<ul style="list-style-type: none"> • Full protection bracket • 300 stainless steel • Mounting hardware included 												
Side Mount	Side Mount	Side Mount	Side Mount												
<p>Used with</p>	<p>Used with</p>	<p>Used with</p>	<p>Used with</p>												
LH	LH	LT3	LT3												

- Accessories
- Brackets
- Cordsets
- Retroreflectors
- Miscellaneous
- Reference

More on next page

SMBLT3IP	SMBLT7	SMBLT7F	SMBLX
<p>All measurements in mm</p>	<p>All measurements in mm</p>	<p>All measurements in mm</p>	<p>All measurements in mm</p>
<p>Hole center spacing: A = 82.5 Hole size: A = 6 x 20.5</p>	<p>Hole center spacing: A to C = 31.8 Hole size: A = \varnothing 3.1, B = 5 x 9, C = 5.2 x 28</p>	<p>N/A</p>	<p>Hole center spacing: A = 12.7 Hole size: A = \varnothing 4.3</p>
<ul style="list-style-type: none"> • Protective bracket with replaceable window • Stainless steel construction • Includes replacement windows 	<ul style="list-style-type: none"> • Right-angle bracket • 300 stainless steel • Fine-adjust accessory available (model SMBLT7F) 	<ul style="list-style-type: none"> • Fine-adjust accessory for bracket SMBLT7 • Mounting hardware included • SMBLT7 required (sold separately) • Cold-rolled steel 	<ul style="list-style-type: none"> • End-cap brackets; set of 2 • Zinc-plated cold-rolled steel
Side Mount	Side Mount	Bracket-to-Bracket	End Mount
<p>Used with</p>	<p>Used with</p>	<p>Used with</p>	<p>Used with</p>
LT3	LT7	LT7* *Shown mounted on SMBLT7 (sold separately)	LX



SMBLXR	SMBM25A	SMBM25B	SMBP42ASM
 <p>All measurements in mm</p>	 <p>All measurements in mm</p>	 <p>All measurements in mm</p>	 <p>All measurements in mm</p>
<p>Hole center spacing: A, B = 63.5, A to B = 10.2 Hole size: A, B = 5.2 x 11.6</p>	<p>Hole size: A = \varnothing 25.4</p>	<p>Hole size: A = \varnothing 25.4</p>	<p>N/A</p>
<ul style="list-style-type: none"> • Back-mount bracket for secure one-end mounting • Zinc-plated cold-rolled steel 	<ul style="list-style-type: none"> • Top mount swivel bracket • Stainless steel with rounded edges for cleanliness in demanding environments • Non-metallic FDA compliant bushing for acoustically isolating M25U sensors • M10 x 1.5 mount on opposite side of clamping nuts 	<ul style="list-style-type: none"> • Bottom mount swivel bracket • Stainless steel with rounded edges for cleanliness in demanding environments • Non-metallic FDA compliant bushing for acoustically isolating M25U sensors • M10 x 1.5 mount on same side as clamping nuts 	<ul style="list-style-type: none"> • For mounting two lights to P4 sensor housing • Black corrosion-resistant zinc finish • Hardware included
<p>Back Mount</p>	<p>Barrel Mount</p>	<p>Barrel Mount</p>	<p>Light-to-Sensor</p>
 <p>Used with</p>	 <p>Used with</p>	 <p>Used with</p>	 <p>Used with</p>
<p>LX</p>	<p>M25U</p>	<p>M25U</p>	<p>Area Light (80 x 80 mm)* Area Light (62 x 62 mm) Spot Light</p>
			<p>* Requires one SMBACM bracket with each light (see page 646)</p>

- Accessories
- Brackets
- Cordsets
- Retroreflectors
- Miscellaneous
- Reference



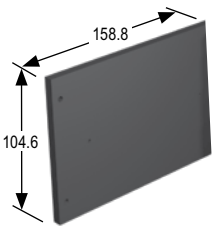

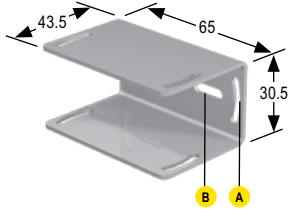
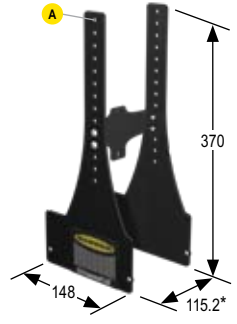




SMBP4ASM*	SMBP4OAL100	SMBP4OAL50	SMBP4RAB
 <p>All measurements in mm</p>	 <p>All measurements in mm</p>	 <p>All measurements in mm</p>	 <p>All measurements in mm</p>
N/A	Hole center spacing: $\text{A} = 15$ Hole size: $\text{A} = \varnothing 5.3$	Hole center spacing: $\text{A} = 15$ Hole size: $\text{A} = \varnothing 5.3$	Hole center spacing: $\text{A} = 47$ Hole size: $\text{A} = 3.3 \times 19.1$
<ul style="list-style-type: none"> • For mounting light to P4 sensor housing • Black corrosion-resistant zinc finish • Hardware included 	<ul style="list-style-type: none"> • For mounting On-Axis light to P4 housing • Centers lens on light opening • Black zinc-plated steel • Hardware included 	<ul style="list-style-type: none"> • For mounting On-Axis light to P4 housing • Centers lens on light opening • Black zinc-plated steel • Hardware included 	<ul style="list-style-type: none"> • Heavy-duty, black corrosion-resistant zinc finish • 8° of rotation on image-axis • Hardware included
Light-to-Sensor	Light-to-Sensor	Light-to-Sensor	Side Mount
 <p>Used with</p>	 <p>Used with</p>	 <p>Used with</p>	 <p>Used with</p>
Area Light (80 x 80 mm) Area Light (62 x 62 mm) Spot Light	On-Axis (100 mm)	On-Axis (50 mm)	P4 (right-angle)
* Requires one SMBACM bracket with each light (see page 646)	* Dimensions include 100 mm light (sold separately)	* Dimensions include 50 mm light (sold separately)	



More on next page

SMBP4RAS	SMBP4SRAF	SMBPMPRHI	SMBPPDE
<p>All measurements in mm</p>	<p>All measurements in mm</p>	<p>All measurements in mm</p>	<p>All measurements in mm</p>
<p>Hole center spacing: A = 43.5 Hole size: A = 6.8 x 2.5</p>	<p>Hole center spacing: A to B = 12.5, C = 36 Hole size: A = 7 x 26, B = ø 8 (1/4-20), C = ø 5.5</p>	<p>Hole center spacing: A = 20.1, B = 44.8 Hole size: A = 3.5 x 9.9, B = 3.8</p>	N/A
<ul style="list-style-type: none"> • Right-angle swivel bracket • 70° rotation on image's x-axis and 20° on the y-axis • Black corrosion-resistant zinc finish • Hardware included 	<ul style="list-style-type: none"> • Right-angle, stainless steel bracket • Stainless steel hardware included 	<ul style="list-style-type: none"> • Black zinc plated steel • For mounting light to <i>Pro Mini Camera</i> • Black zinc plated finish • Hardware included 	<ul style="list-style-type: none"> • DIN-rail edge mounting bracket to save linear track space • Black ABS plastic • Hardware included
Side Mount	Front Mount	Light-to-Sensor	Back Mount
<p>Used with</p>	<p>Used with</p>	<p>Used with</p>	<p>Used with</p>
P4 (right-angle)	P4 (sealed)	Ring Light (70 mm)	PresencePLUS Pro Controller



SMBPPDH	SMBPPLK	SMBPPLU	SMBPPOAL100
 <p>All measurements in mm</p>	 <p>All measurements in mm</p>	 <p>All measurements in mm</p>	 <p>All measurements in mm</p>
N/A	N/A	<p>Hole center spacing: A = 58.5, B = 30 Hole Size: A = 18.7 x 3.4, B = 14.3 x 4.4</p>	<p>Hole center spacing: A = 15 Hole size: A = \varnothing 5.3</p>
<ul style="list-style-type: none"> • DIN-rail flat mounting for easy viewing of LED's • Black ABS plastic • Hardware included 	<ul style="list-style-type: none"> • 2 inch pivoting assembly 	<ul style="list-style-type: none"> • Highly stable U-Shaped bracket • Bright corrosion-resistant finish • Hardware included 	<ul style="list-style-type: none"> • For mounting On-Axis light to <i>Pro</i> housing • Centers lens on light opening • Black zinc-plated steel • Hardware included
Back Mount		Side Mount	Light-to-Sensor
 <p>Used with</p> <p><i>PresencePLUS Pro</i> Controller</p>	 <p>Used with</p> <p>Spot Lights</p>	 <p>Used with</p> <p><i>PresencePLUS Pro</i> Camera</p>	 <p>Used with</p> <p>On-Axis (100 mm)</p>
			<p>*Dimensions include 100 mm light (sold separately)</p>



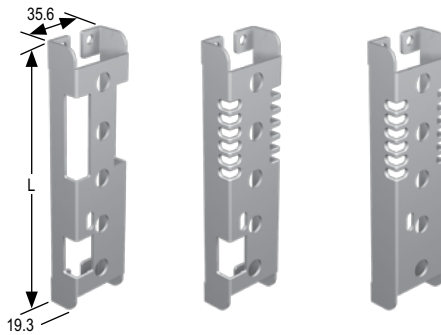
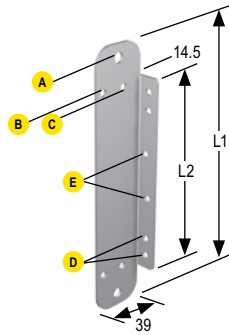





SMBPPOAL50	SMBPPRA	SMBPPRHI	SMBPPROMRA
<p>All measurements in mm</p>	<p>All measurements in mm</p>	<p>All measurements in mm</p>	<p>All measurements in mm</p>
<p>Hole center spacing: A = 15 Hole size: A = \varnothing 5.3</p>	<p>Hole center spacing: A = 58.5 Hole Size: A = 18.7 x 3.4, B = 44.5 x 4.4</p>	<p>Hole center spacing: A = 44.5, B = 52.3 Hole size: A = \varnothing 3.8, B = 3.6 x 6.4</p>	<p>Hole center spacing: A = 26, B = 20, C to D = 20 Hole Size: A = 7 x 26, B = 3.6 x 5.6, C = 3.6 x 6.6, D = \varnothing 6.8, E = \varnothing 8 (1/4-20)</p>
<ul style="list-style-type: none"> • For mounting On-Axis light to <i>Pro</i> housing • Centers lens on light opening • Black zinc-plated steel • Hardware included 	<ul style="list-style-type: none"> • Right-angle bracket with single-side mounting for difficult-to-access sites • Bright corrosion-resistant finish • Hardware included 	<ul style="list-style-type: none"> • Black anodized aluminum bracket • For mounting light to <i>Pro</i> camera • Hardware included 	<ul style="list-style-type: none"> • Right-angle bracket • 316 stainless steel • Hardware included
Light-to-Sensor	Side Mount	Light-to-Sensor	Side Mount
<p>Used with</p>	<p>Used with</p>	<p>Used with</p>	<p>Used with</p>
On-Axis (50 mm)	PresencePLUS Pro Camera	Ring Light (70 mm)	PresencePLUS Pro Mini Camera
*Dimensions include 50 mm light (sold separately)			

- Accessories
- Brackets
- Cordsets
- Retroreflectors
- Miscellaneous
- Reference

More on next page

SMBPPSU	SMBPPU	SMBPVA1	SMBPVA11
All measurements in mm	All measurements in mm	All measurements in mm	All measurements in mm
<p>Hole center spacing: A to C = 31.8, B = 25</p> <p>Hole size: A = \varnothing 6.5, B = 20.2 x 7, C = \varnothing 6.5</p>	<p>Hole center spacing: B = 25</p> <p>Hole size: A = \varnothing 16, B = 3.3 x 25</p>	<p>Hole center spacing: A = 10.2, B to B = 18, B to C = 10.2</p> <p>Hole size: A = 10 x 4.8, B, C = \varnothing 4.6</p>	NA
<ul style="list-style-type: none"> • 316 stainless steel • 10° of rotation on image's y-axis • Hardware included 	<ul style="list-style-type: none"> • U-Shaped swivel bracket for variable rotation • Bright corrosion-resistant finish • Hardware included 	<ul style="list-style-type: none"> • Right-angle bracket • 303 stainless steel • Replacement brackets for brackets included with sensors 	<ul style="list-style-type: none"> • Pair of two-piece swivel brackets for mounting sensor to 5/16" metal rack system • Articulation slot for $\pm 90^\circ$ rotation • May be used with SMBPVA..C bracket
Side Mount	Side Mount	Back Mount	Bracket Mount
Used with	Used with	Used with	Used with
Sealed PresencePLUS Pro Camera	PresencePLUS Pro Camera	PVA PVD EZ-LIGHT TL30F	PVD EZ-LIGHT TL30F
			Bracket-to-Bracket
			Used with
			SMBPVD..A SMBPVD..AB

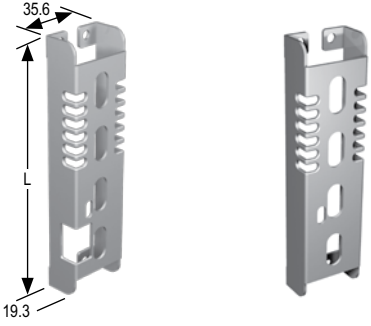
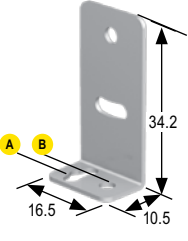
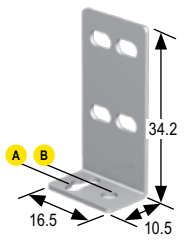

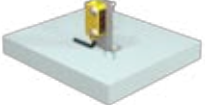
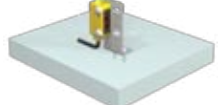



SMBPVA2	SMBPVA.., SMBPVA..A, SMBPVA..AB	SMBPVA..C																																																										
 <p>All measurements in mm</p>	 <p>All measurements in mm</p>	 <p>All measurements in mm</p>																																																										
<p>Hole center spacing: A = 18.8 Hole size: A = \varnothing 4.4</p>	<table border="1"> <thead> <tr> <th>Models</th> <th>DIP Switch Access</th> <th>Light Protected</th> <th>Length (L)</th> <th>Used With</th> </tr> </thead> <tbody> <tr> <td>SMBPVA5</td> <td>Yes</td> <td>No</td> <td rowspan="3">139.7</td> <td rowspan="3">PVA100</td> </tr> <tr> <td>SMBPVA5A</td> <td>Yes</td> <td>Yes</td> </tr> <tr> <td>SMBPVA5AB</td> <td>No</td> <td>Yes</td> </tr> <tr> <td>SMBPVA10</td> <td>Yes</td> <td>No</td> <td rowspan="3">268.2</td> <td rowspan="3">PVA225</td> </tr> <tr> <td>SMBPVA10A</td> <td>Yes</td> <td>Yes</td> </tr> <tr> <td>SMBPVA10AB</td> <td>No</td> <td>Yes</td> </tr> <tr> <td>SMBPVA13</td> <td>Yes</td> <td>No</td> <td rowspan="3">343.3</td> <td rowspan="3">PVA300</td> </tr> <tr> <td>SMBPVA13A</td> <td>Yes</td> <td>Yes</td> </tr> <tr> <td>SMBPVA13AB</td> <td>No</td> <td>Yes</td> </tr> <tr> <td>SMBPVA16</td> <td>Yes</td> <td>No</td> <td rowspan="3">418.2</td> <td rowspan="3">PVA375</td> </tr> <tr> <td>SMBPVA16A</td> <td>Yes</td> <td>Yes</td> </tr> <tr> <td>SMBPVA16AB</td> <td>No</td> <td>Yes</td> </tr> </tbody> </table>	Models	DIP Switch Access	Light Protected	Length (L)	Used With	SMBPVA5	Yes	No	139.7	PVA100	SMBPVA5A	Yes	Yes	SMBPVA5AB	No	Yes	SMBPVA10	Yes	No	268.2	PVA225	SMBPVA10A	Yes	Yes	SMBPVA10AB	No	Yes	SMBPVA13	Yes	No	343.3	PVA300	SMBPVA13A	Yes	Yes	SMBPVA13AB	No	Yes	SMBPVA16	Yes	No	418.2	PVA375	SMBPVA16A	Yes	Yes	SMBPVA16AB	No	Yes	<table border="1"> <thead> <tr> <th>Models</th> <th>L1</th> <th>L2</th> </tr> </thead> <tbody> <tr> <td>SMBPVA5C</td> <td>188.7</td> <td>139.5</td> </tr> <tr> <td>SMBPVA10C</td> <td>317.2</td> <td>268.0</td> </tr> </tbody> </table>	Models	L1	L2	SMBPVA5C	188.7	139.5	SMBPVA10C	317.2	268.0
Models	DIP Switch Access	Light Protected	Length (L)	Used With																																																								
SMBPVA5	Yes	No	139.7	PVA100																																																								
SMBPVA5A	Yes	Yes																																																										
SMBPVA5AB	No	Yes																																																										
SMBPVA10	Yes	No	268.2	PVA225																																																								
SMBPVA10A	Yes	Yes																																																										
SMBPVA10AB	No	Yes																																																										
SMBPVA13	Yes	No	343.3	PVA300																																																								
SMBPVA13A	Yes	Yes																																																										
SMBPVA13AB	No	Yes																																																										
SMBPVA16	Yes	No	418.2	PVA375																																																								
SMBPVA16A	Yes	Yes																																																										
SMBPVA16AB	No	Yes																																																										
Models	L1	L2																																																										
SMBPVA5C	188.7	139.5																																																										
SMBPVA10C	317.2	268.0																																																										
<ul style="list-style-type: none"> Set of 4 molded brackets Snaps onto standard 28 mm diameter pipe 2 required per sensor 	<p>Hole center spacing: A to C = 20, B to C = 18, D = 13, E = 32 Hole size: A = \varnothing 7.3, B, C, D, E = \varnothing 5.2</p>	<p>Hole center spacing: A to C = 20, B to C = 18, D = 13, E = 32 Hole size: A = \varnothing 7.3, B, C, D, E = \varnothing 5.2</p>																																																										
<p>Back Mount</p>	<p>Back Mount</p>	<p>Back Mount</p>																																																										
 <p>Used with</p>	<ul style="list-style-type: none"> Protects sensor from impact; provides DIP-switch and/or indicator light exposure (depending on model) Heavy-duty cold-rolled steel-zinc finish May be used with SMBPVA..C for mounting to SMBPVA7 or SMBPVA8 brackets 	 <p>Used with</p>																																																										
<p>PVA PVD EZ-LIGHT TL30F</p>		<p>PVA PVD</p>																																																										
<p>Bracket-to-Bracket</p>	<p>Back Mount</p>	<p>Bracket-to-Bracket</p>																																																										
 <p>Used with</p>	 <p>Used with</p>	 <p>Used with</p>																																																										
<p>SMBPVA.. SMBPVA..A SMBPVA..AB</p>	<p>PVA (see chart)</p> <p>Bracket-to-Bracket</p>  <p>Used with</p>	<p>SMBPVA7* SMBPVA8* SMBPVA.. SMBPVA...A</p> <p>SMBPVA...AB SMBPVD...A SMBPVD...AB</p>																																																										
<p>SMBPVA..2 SMBPVA..7*</p>	<p>SMBPVA..8* SMBPVA..C bracket</p> <p>*Protective bracket must be mounted to a SMBPVA..C bracket.</p>	<p>*Sensor must be mounted to a SMBPVA..C bracket.</p>																																																										

More on next page

SMBPVA6	SMBPVA7	SMBPVA8	SMBPVA9
<p>All measurements in mm</p>	<p>All measurements in mm</p>	<p>All measurements in mm</p>	<p>All measurements in mm</p>
<p>Hole center spacing: A, B, A to B = 18 Hole size: A = \varnothing 3.2</p>	N/A	N/A	<p>Hole center spacing: A = 18 Hole size: A = \varnothing 5</p>
<ul style="list-style-type: none"> Set of 4 molded brackets Brackets clamp onto 28 mm pipe Request data sheet p/n 64900 for more information 	<ul style="list-style-type: none"> One-piece bracket for mounting to 28 mm diameter pipe Black-painted steel Requires SMBPVA..C for mounting at an angle $\pm 90^\circ$ 	<ul style="list-style-type: none"> Heavy-duty 2-part bracket mounts to 28 mm diameter pipe Cold-rolled steel with zinc finish Requires SMBPVA..C for mounting 	<ul style="list-style-type: none"> Pair of 2-piece swivel brackets Mount directly to sensor or to PVD/PVA protective brackets Designed for mounting sensor to "look down"
Back Mount	Bracket-to-Bracket	Bracket-to-Bracket	Back Mount
<p>Used with</p>	<p>Used with</p>	<p>Used with</p>	<p>Used with</p>
PVA PVD EZ-LIGHT TL30F	PVA* PVD* SMBPVA5C SMBPVA10C	PVA* PVD* SMBPVA5C SMBPVA10C	PVA PVD EZ-LIGHT TL30F
Bracket-to-Bracket	*Sensor must be mounted to SMBPVA..C bracket. (sold separately)		Bracket-to-Bracket
<p>Used with</p>			<p>Used with</p>
SMBPVA.. SMBPVA..A SMBPVA..AB	SMBPVD..A SMBPVD..AB		SMBPVA.. SMBPVA..A SMBPVA..AB
			SMBPVD...A SMBPVD...AB

More on next page

SMBPVD..A & SMBPVD..AB				SMBQ12A	SMBQ12T																
 <p>All measurements in mm</p>				 <p>All measurements in mm</p>	 <p>All measurements in mm</p>																
<table border="1"> <thead> <tr> <th>Models</th> <th>DIP Switch Access</th> <th>Length (L)</th> <th>Used With</th> </tr> </thead> <tbody> <tr> <td>SMBPVD100A</td> <td>Yes</td> <td rowspan="2">140</td> <td rowspan="2">PVD100</td> </tr> <tr> <td>SMBPVD100AB</td> <td>No</td> </tr> <tr> <td>SMBPVD225A</td> <td>Yes</td> <td rowspan="2">269</td> <td rowspan="2">PVD225</td> </tr> <tr> <td>SMBPVD225AB</td> <td>No</td> </tr> </tbody> </table>				Models	DIP Switch Access	Length (L)	Used With	SMBPVD100A	Yes	140	PVD100	SMBPVD100AB	No	SMBPVD225A	Yes	269	PVD225	SMBPVD225AB	No	<p>Hole center spacing: A to B = 7.6 Hole size: A = 3.5 x 8.1, B = ø 3.2</p>	<p>Hole center spacing: A to B = 7.6 Hole size: A = 3.5 x 8.1, B = ø 3.2</p>
Models	DIP Switch Access	Length (L)	Used With																		
SMBPVD100A	Yes	140	PVD100																		
SMBPVD100AB	No																				
SMBPVD225A	Yes	269	PVD225																		
SMBPVD225AB	No																				
<ul style="list-style-type: none"> • Heavy-duty protection brackets; DIP-switch access • Cold-rolled steel with zinc finish • May be used with SMBPVA..C for mounting to SMBPVA7 or SMBPVA8 brackets 				<ul style="list-style-type: none"> • Adjustable right-angle bracket • 20-ga. 300 series stainless steel 	<ul style="list-style-type: none"> • Right-angle bracket • 20-ga. 300 series stainless steel 																
Back Mount				Side Mount																	
 <p>Used with</p>				 <p>Used with</p>	 <p>Used with</p>																
PVD (see chart)				Q12	Q12																
Bracket-to-Bracket																					
 <p>Used with</p>																					
<p>SMBPVA9 SMBPVA2 SMBPVA..C SMBPVA7* SMBPVA8*</p>																					
<p>* Protective bracket must be mounted to a SMBPVA..C bracket.</p>																					

- Accessories
- Brackets
- Cordsets
- Retroreflectors
- Miscellaneous
- Reference

More on next page

SMBQ20H	SMBQ20L	SMBQ20LV	SMBQ20U
<p>All measurements in mm</p>	<p>All measurements in mm</p>	<p>All measurements in mm</p>	<p>All measurements in mm</p>
<p>Hole center spacing: A to B = 20 Hole size: A = 2.8 x 9.3, B = 8.4 x 4.5</p>	<p>Hole center spacing: A to B = 20 Hole size: A = 2.8 x 9.3, B = 8.4 x 4.5</p>	<p>Hole center spacing: A = 12 Hole size: A = 3 x 9.4</p>	<p>Hole center spacing: A = 26.5 Hole size: A = 3 x 12.6</p>
<ul style="list-style-type: none"> • Sensor horizontal flange mount • ± 10° swivel • Stainless steel 	<ul style="list-style-type: none"> • Right-angle bracket • ± 5° tip, ± 5° swivel • Stainless steel 	<ul style="list-style-type: none"> • Right-angle bracket • ± 10° tip • Stainless steel 	<ul style="list-style-type: none"> • Protective bracket • ± 22.5° swivel • Stainless steel
Side Mount	Side Mount	Side Mount	Side Mount
<p>Used with</p>	<p>Used with</p>	<p>Used with</p>	<p>Used with</p>
Q20	Q20	Q20	Q20

More on next page

SMBQ60	SMBQC50	SMBQS12PD	SMBQS18A
<p>All measurements in mm</p>	<p>All measurements in mm</p>	<p>All measurements in mm</p>	<p>All measurements in mm</p>
<p>Hole center spacing: A to B = 24.1 Hole size: A = \varnothing 4.5, B = 8.4 x 4.5</p>	<p>Hole center spacing: A to B = 18, B to B = 36 Hole size: A = \varnothing 4, B = 4 x 13.3</p>	<p>Hole center spacing: A to B = 14 Hole size: A = \varnothing 3.5, B = 3.5 x 10.6, C = \varnothing 13</p>	<p>Hole size: A = \varnothing 15.3</p>
<ul style="list-style-type: none"> • Right-angle bracket • 14-ga. 304 stainless steel 	<ul style="list-style-type: none"> • Multi-directional stainless steel right-angle bracket • Variety of mounting options 	<ul style="list-style-type: none"> • Right-angle, nose-mount bracket • 16-ga. 300 series stainless steel 	<ul style="list-style-type: none"> • Wrap-around protection bracket • Die-cast bracket • Base fits 18 mm threaded hole • Metal hex nut, lock washer and grommet included • Mounting holes specially designed for QS18AF sensors
Side Mount	Side Mount	Barrel Mount	Side Mount
<p>Used with</p>	<p>Used with</p>	<p>Used with</p>	<p>Used with</p>
Q60	QC50 QCX50	M12 S12	QS18 (DC only) QS18U QS18AF

- Accessories
- Brackets
- Cordsets
- Retroreflectors
- Miscellaneous
- Reference

More on next page

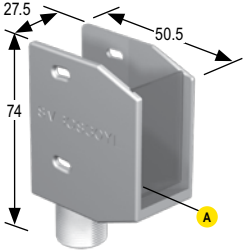
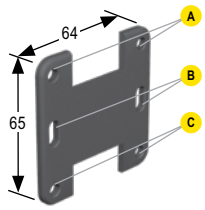
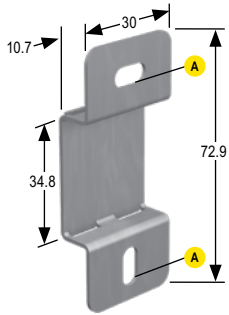
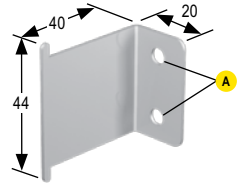




SMBQS18AF	SMBQS18DIN	SMBQS18RA	SMBQS18Y
<p>All measurements in mm</p>	<p>All measurements in mm</p>	<p>All measurements in mm</p>	<p>All measurements in mm</p>
<p>Hole center spacing: A to B = 20.3 Hole size: A = 4.3 x 9.4, B = \varnothing 4.3</p>	N/A	<p>Hole center spacing: A to B = 20.3 Hole size: A = 4.3 x 9.4, B = \varnothing 4.3</p>	<p>Hole size: A = \varnothing 15.3</p>
<ul style="list-style-type: none"> • Right-angle mounting bracket • 14-ga. 304 stainless steel 	<ul style="list-style-type: none"> • Right-angle bracket assembly for mounting on 35 mm DIN rail • 300 series stainless steel and glass filled nylon; zinc-plated screws 	<ul style="list-style-type: none"> • Right-angle mounting bracket • 14-ga. 304 stainless steel 	<ul style="list-style-type: none"> • Die-cast bracket for 18 mm holes • Includes metal hex nut and lock washer • Allows $\pm 8^\circ$ for cabled sensors
Side Mount	Side Mount	Side Mount	Side Mount
<p>Used with</p>	<p>Used with</p>	<p>Used with</p>	<p>Used with</p>
QS18AF (Only)	QS18	QS18 (except QS18AF) QS18U	QS18 (DC only) QS18U

More on next page

SMBQS18YL	SMBQS30L	SMBQS30LT	SMBQS30Y
<p>All measurements in mm</p>	<p>All measurements in mm</p>	<p>All measurements in mm</p>	<p>All measurements in mm</p>
<p>Hole size: A = \varnothing 15.3</p>	<p>Hole center spacing: A to B = 35 Hole size: A = \varnothing 4.3, B = 4.25 x 16.3</p>	<p>Hole center spacing: A to B = 35 Hole size: A = \varnothing 4.3, B = 4.25 x 16.3</p>	<p>Hole size: A = \varnothing 15.3</p>
<ul style="list-style-type: none"> • Heavy-duty die-cast bracket for industrial protection • Replaceable window • M18 vertical mount-option • Nut and lock washer included 	<ul style="list-style-type: none"> • Right-angle bracket for cable sensor models • Clearance for M4 (#8) hardware • $\pm 12^\circ$ tilt adjustment • 14-ga. stainless steel 	<ul style="list-style-type: none"> • Tall right-angle bracket for QD models • $\pm 8^\circ$ tilt adjustment • 14-ga. stainless steel 	<ul style="list-style-type: none"> • Heavy-duty die-cast bracket • M18 vertical mount option • $\pm 8^\circ$ tilt adjustment with cabled units • Includes nuts and lock washer
Side Mount	Side Mount	Side Mount	Side Mount
<p>Used with</p>	<p>Used with</p>	<p>Used with</p>	<p>Used with</p>
<p>QS18AF (Class 2 Laser Only)</p>	<p>QS30</p>	<p>QS30 with integral QDs</p>	<p>QS30 (DC only)</p>

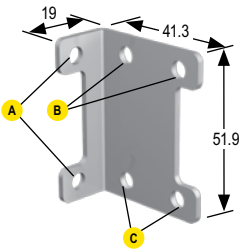
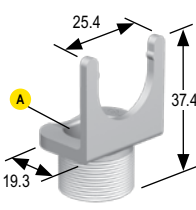
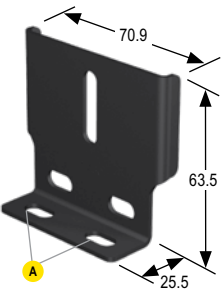
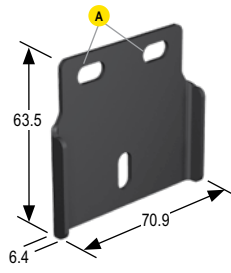




- Accessories
- Brackets
- Cordsets
- Retroreflectors
- Miscellaneous
- Reference

More on next page

SMBQS30YL	SMBR55F01	SMBR55F02	SMBR55FRA
 <p>All measurements in mm</p>	 <p>All measurements in mm</p>	 <p>All measurements in mm</p>	 <p>All measurements in mm</p>
Hole size: A = \varnothing 15.3	Hole center spacing: A, B, C = 50.8, A to B, B to C = 25.3 Hole size: A, C = \varnothing 5.6, B = 11 x 5	Hole center spacing: A = 50.3 Hole size: A = 11.2 x 5.6	Hole center spacing: A = 20 Hole size: A = \varnothing 5.4
<ul style="list-style-type: none"> • Heavy-duty die-cast bracket designed for industrial protection • Replaceable window • M18 vertical mount option • Includes nuts and lock washer 	<ul style="list-style-type: none"> • Flat-mounting bracket • Eliminates need for DIN rail • Molded PBT polyester • Black reinforced thermoplastic polyester 	<ul style="list-style-type: none"> • Mounts to T-slotted or narrow flat surfaces • 19-ga. stainless steel 	<ul style="list-style-type: none"> • Side-mounting bracket • Eliminates need for DIN rail • 19-ga. stainless steel
Side Mount	Back Mount	Back Mount	Side Mount
 <p>Used with</p>	 <p>Used with</p>	 <p>Used with</p>	 <p>Used with</p>
QS30 (DC only)	R55F D10 D12 PICO-GUARD SFA-RD	PICO-GUARD SFA-RD	R55F D10 D12 PICO-GUARD SFA-RD

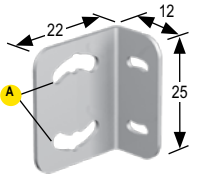
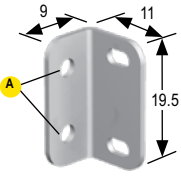
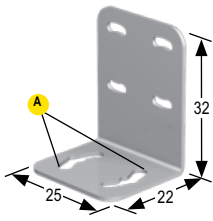
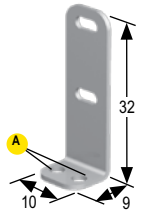



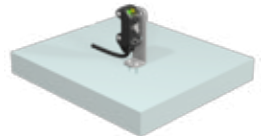


More on next page

SMBSL	SMBT18Y	SMBVLA62X62RA	SMBVLA62X62S
 <p>All measurements in mm</p>	 <p>All measurements in mm</p>	 <p>All measurements in mm</p>	 <p>All measurements in mm</p>
<p>Hole center spacing: A = 40, B, C = 21.6, B to C = 39.9 Hole size: A, B, C = \varnothing 5.5</p>	<p>Hole size: A = \varnothing 15.3</p>	<p>Hole center spacing: A = 36.4 Hole size: A = 13.1 x 6.6</p>	<p>Hole center spacing: A = 36.4 Hole size: A = 13.1 x 6.6</p>
<ul style="list-style-type: none"> • Right-angle bracket • 304 stainless steel • Hardware included 	<ul style="list-style-type: none"> • Die-cast bracket for 18 mm holes • Includes metal hex nut • For use with Euro-style QD connectors and cabled versions 	<ul style="list-style-type: none"> • For mounting a light at a right angle • 14-ga. steel, black zinc-plated 	<ul style="list-style-type: none"> • Surface-mount bracket for mounting light from front • In-line bracket • 14-ga. steel, black zinc-plated
<p>Side Mount</p>	<p>Barrel Mount</p>	<p>Back Mount</p>	<p>Back Mount</p>
 <p>Used with</p>	 <p>Used with</p>	 <p>Used with</p>	 <p>Used with</p>
<p>SL10 SL30</p>	<p>T18 TM18 T18U EZ-LIGHT T18</p>	<p>Area Lights (62 x 62 mm)</p>	<p>Area Lights (62 x 62 mm)</p>

- Accessories
- Brackets
- Cordsets
- Retroreflectors
- Miscellaneous
- Reference



SMBVS1S	SMBVS1SC	SMBVS1T	SMBVS1TC
 <p>All measurements in mm</p>	 <p>All measurements in mm</p>	 <p>All measurements in mm</p>	 <p>All measurements in mm</p>
<p>Hole center spacing: $A = 16.8$ Hole size: $A = 3.5 \times 12.3$</p>	<p>Hole center spacing: $A = 10.0$ Hole size: $A = \varnothing 2.8$</p>	<p>Hole center spacing: $A = 16.8$ Hole size: $A = 3.5 \times 12.3$</p>	<p>Hole center spacing: $A = 5.5$ Hole size: $A = \varnothing 2.8$</p>
<ul style="list-style-type: none"> • Short right-angle bracket • 18-ga. stainless steel 	<ul style="list-style-type: none"> • Short right-angle bracket • 18-ga. stainless steel 	<ul style="list-style-type: none"> • Tall right-angle bracket • Stainless steel 	<ul style="list-style-type: none"> • Tall right-angle compact bracket • 300 stainless steel
Side Mount	Side Mount	Side Mount	Side Mount
 <p>Used with</p>	 <p>Used with</p>	 <p>Used with</p>	 <p>Used with</p>
VS1	VS1	VS1	VS1

More on next page

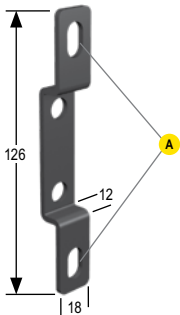
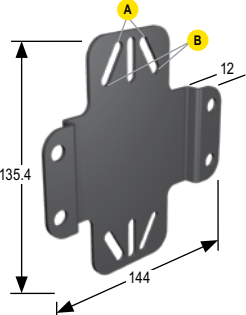
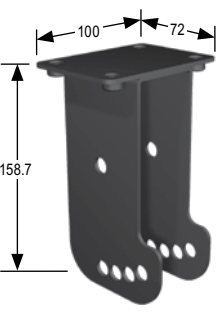
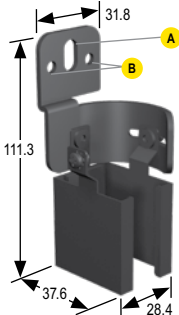




SMBVS2RA	SMBVS3S	SMBVS3T	SMBVSM4
<p>All measurements in mm</p>	<p>All measurements in mm</p>	<p>All measurements in mm</p>	<p>All measurements in mm</p>
<p>Hole center spacing: A = 80. Hole size: A = 3.2 x 6</p>	<p>Hole center spacing: A = 13.5 Hole size: A = 3.2 x 7.7</p>	<p>Hole center spacing: A = 13.5 Hole size: A = 3.2 x 7.7</p>	<p>Hole center spacing: A = 8 Hole size: A = ø 3.3</p>
<ul style="list-style-type: none"> • Right-angle bracket • Stainless steel 	<ul style="list-style-type: none"> • Right-angle bracket • 300 stainless steel 	<ul style="list-style-type: none"> • Tall right-angle bracket • 300 stainless steel 	<ul style="list-style-type: none"> • Mounting clamp for 4 mm barrel-style sensors • Black impact-resistant plastic
Back Mount	Side Mount	Side Mount	Barrel Mount
<p>Used with</p>	<p>Used with</p>	<p>Used with</p>	<p>Used with</p>
VS2	VS3	VS3	VSM4

- Accessories
- Brackets
- Cordsets
- Retroreflectors
- Miscellaneous
- Reference

More on next page

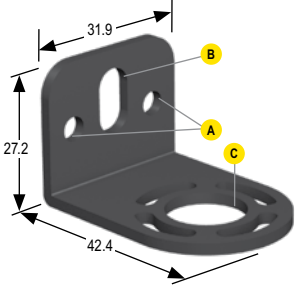
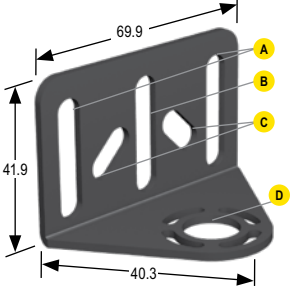
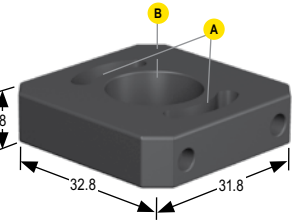





SMBWFTLS	SMBWFTLR	SMBWLS28RA	SMH241F
<p>All measurements in mm</p>	<p>All measurements in mm</p>	<p>All measurements in mm</p>	<p>All measurements in mm</p>
<p>Hole center spacing: A = 27 Hole size: A = \varnothing 6.5</p>	<p>Hole center spacing: A = 27 Hole size: A = \varnothing 6.5</p>	<p>Hole center spacing: C = 8 Hole size: A = \varnothing 15.25, C = \varnothing 5</p>	<p>Hole center spacing: A = 24 Hole size: A = \varnothing 2.5</p>
<ul style="list-style-type: none"> • In-line bracket • Mounts around light • Bright zinc-coated steel construction 	<ul style="list-style-type: none"> • Right-angle bracket • Mounts around light • Bright zinc-coated steel construction 	<ul style="list-style-type: none"> • Two replacement brackets for one light • 14-ga. zinc-plated steel • \pm 45° rotation from center 	<ul style="list-style-type: none"> • Nut strap replaces two M3 mounting nuts and washers • 16-ga. stainless steel
<p>Base Mount</p>	<p>Base Mount</p>	<p>End Mount</p>	<p>Side Mount</p>
<p>Used with</p>	<p>Used with</p>	<p>Used with</p>	<p>Used with</p>
<p>Tubular Fluorescent Lights</p>	<p>Tubular Fluorescent Lights</p>	<p>WLS28 Work Lights</p>	<p>QS18 MINI-BEAM QM42/QMT42 QS18U</p>



STBA-RB1-MB1	STBA-RB1-MB2	STBA-RB1-MB3	USCMB-..
 <p>All measurements in mm</p>	 <p>All measurements in mm</p>	 <p>All measurements in mm</p>	 <p>All measurements in mm</p>
<p>Hole center spacing: A = 106 Hole size: A = 9 x 15</p>	<p>Hole center spacing: A = 20, B = 40, A to B = 20 Hole size: A, B = 27 x 7</p>	<p>NA</p>	<p>Hole center spacing: B = 19.9, A to B = 10 Hole size: A = 12.2 x 7.1, B = \varnothing 4.8</p>
<ul style="list-style-type: none"> • Pair of wall-mount brackets; run bar "hangs" on vertical surface • Slotted holes for vertical adjustment • 12-ga. cold-rolled steel with black powdercoat paint 	<ul style="list-style-type: none"> • Universal-mount bracket; allows run bar to mount to vertical stand or surface • Slotted holes for adjustment • 12-ga. cold-rolled steel with black powdercoat paint 	<ul style="list-style-type: none"> • Swivel-mount bracket; mounts to telescoping stand • Holes for radial adjustment, 0° to 30° in 10° increments • 12-ga. cold-rolled steel with black powdercoat paint 	<ul style="list-style-type: none"> • Two-piece center mounting replacement kit for bracket that comes with emitter/receiver • 13-ga. cold-rolled steel with black power coat paint • Bracket hardware included
<p>Wall Mount</p>	<p>Wall/Stand Mount</p>	<p>Stand Mount</p>	<p>Center Bracket</p>
 <p>Used with</p>	 <p>Used with</p>	 <p>Used with</p>	 <p>Used with</p>
<p>DUO-TOUCH Run Bar</p>	<p>DUO-TOUCH Run Bar</p>	<p>DUO-TOUCH Run Bar</p>	<p>EZ-SCREEN Type 2</p>
		<p>NOTE: Included with telescoping stands STBA-RB1-S1 and STBA-RB1-S2</p>	<p>NOTE: USCMB-1 fits emitters/receivers 600 to 900 mm long USCMB-2 fits emitters/receivers 1050 mm and longer</p>

- Accessories
- Brackets
- Cordsets
- Retroreflectors
- Miscellaneous
- Reference



USMB-1	USMB-6	USMB-8
 <p>All measurements in mm</p>	 <p>All measurements in mm</p>	 <p>All measurements in mm</p>
<p>Hole center spacing: A = 20, A to B = 10 Hole size: A = \varnothing 4.8, B = 12.7 x 7, C = \varnothing 15.2</p>	<p>Hole center spacing: A = 52.1, A to B = 26, C = 30.6 Hole size: A, B = 25.4 x 7.1, C = 15.5 x 7, D = \varnothing 15.2</p>	<p>Hole center spacing: A = 22.7 Hole size: A = 15 x 3.5, B = \varnothing 14.8</p>
<ul style="list-style-type: none"> • Two-bracket replacement kit for brackets that come with emitter/receiver • 13-ga. cold-rolled steel with black corrosion-resistant zinc chromate finish • Bracket hardware included 	<ul style="list-style-type: none"> • Two-bracket universal-mounting surface kit • 13-ga. cold-rolled steel with black corrosion-resistant zinc chromate finish • Bracket hardware included 	<ul style="list-style-type: none"> • Two-bracket kit for one emitter/receiver • Mounting plate for 90° sensor direction • Black anodized aluminum
End Mount	End Mount	End Mount
<p>Flanges In  Flanges Out </p> <p>Used with</p>	<p>Flanges In  Flanges Out </p> <p>Used with</p>	<p></p> <p>Used with</p>
EZ-SCREEN Type 2	EZ-SCREEN Type 2	EZ-SCREEN Type 2