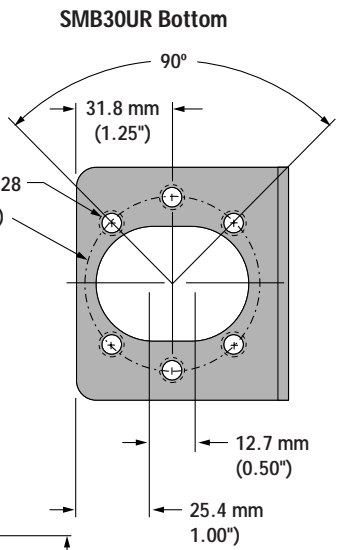
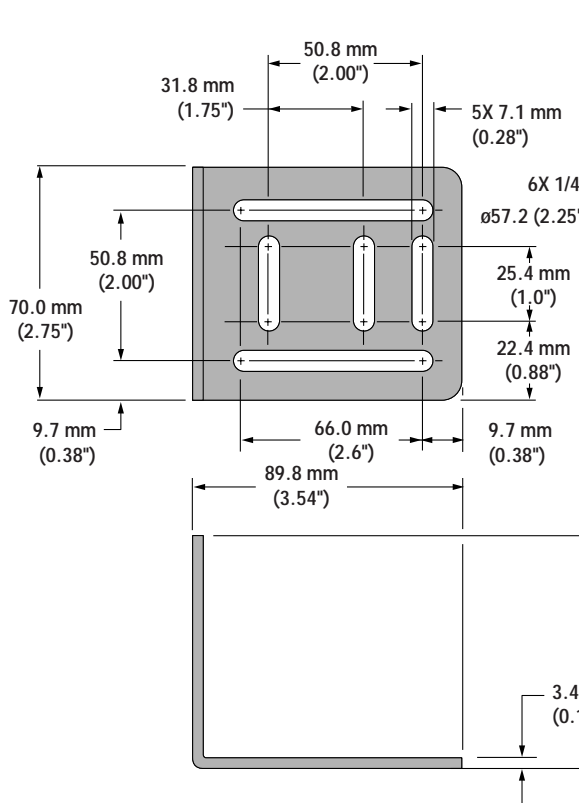
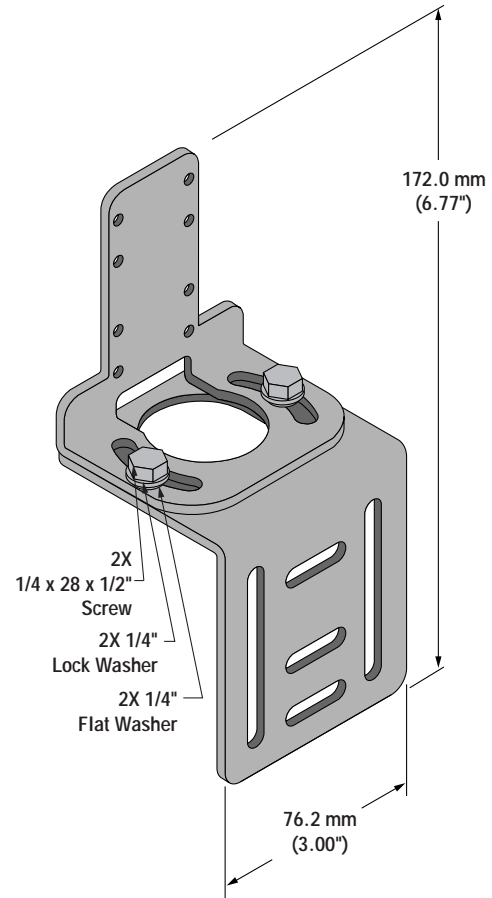
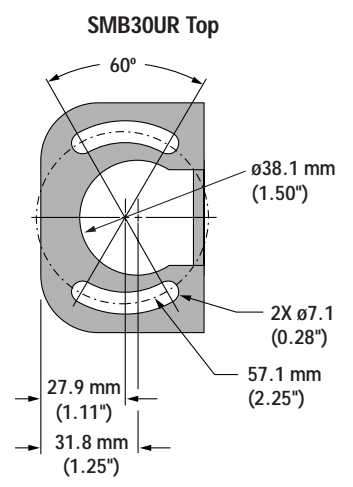
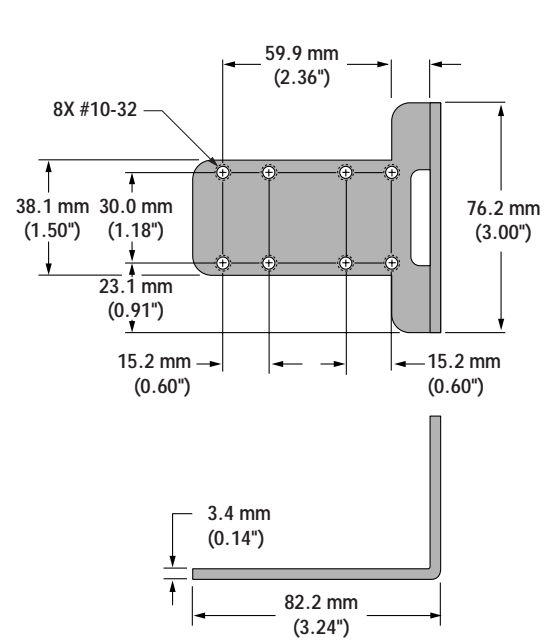




SMB30UR Mounting Bracket

For use with MULTI-BEAM, MAXI-BEAM, Q45, OMNI-BEAM and LS10 Sensors



Material: 300 Series Stainless Steel