

BinMaster Price Book

Effective January 1, 2016 Rev. C



Diaphragm & Tilt Switch



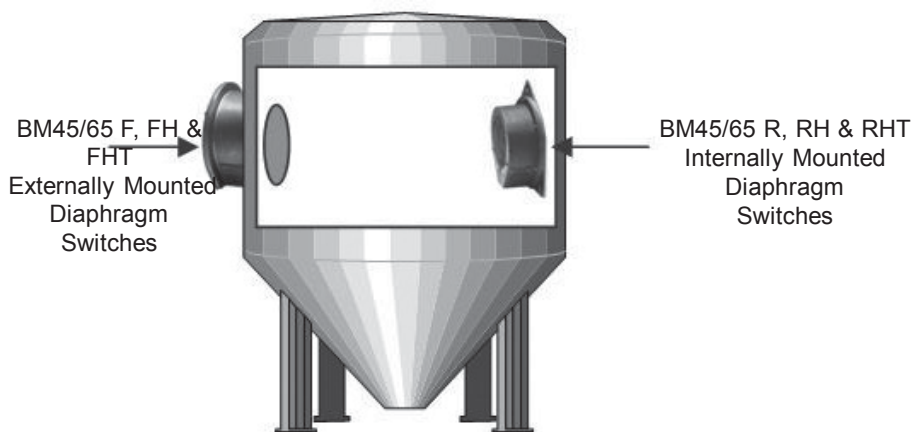
BINMASTER

Prices Subject To Change without Notice
Not responsible for errors or omissions.
F.O.B. Lincoln, Nebraska USA

Shipping Address: 7201 N. 98th St., Lincoln, NE 68507 / Mailing Address: P.O. Box 29709, Lincoln, NE 68529
Phone: 800-278-4241 or 402-434-9102 / Fax: 402-434-9133
www.binmaster.com / info@binmaster.com

DIAPHRAGM SWITCH FOR GENERAL PURPOSE NON-HAZARDOUS APPLICATIONS			
MODEL	DESCRIPTION	PRICE	PART NO.
BM 45 R	BM 45 R - Diaphragm switch with standard .016" thick, black neoprene diaphragm, internally mounted	Call for Price	730-0004
BM 45 F	BM 45 F - Diaphragm switch with standard .016" thick black neoprene diaphragm, externally mounted	Call for Price	730-0001
BM 45 RH	BM 45 RH - Diaphragm switch with heavy duty .031" thick, black neoprene diaphragm, internally	Call for Price	730-0005
BM 45 FH	BM 45 FH - Diaphragm switch with heavy duty .031" thick, black neoprene diaphragm, externally	Call for Price	730-0002
BM 45 RHT	BM 45 RHT - Diaphragm switch with heavy duty .031" thick, grey silicone diaphragm, internally	Call for Price	730-0006
BM 45 FHT	BM 45 FHT - Diaphragm switch with heavy duty .031" thick, grey silicone diaphragm, externally	Call for Price	730-0003
BM 65 DRHT	BM 65 DRHT - Diaphragm switch with heavy duty .031" thick, black neoprene diaphragm, internally	Call for Price	730-0511
BM 65 DFHT	BM 65 DFHT - Diaphragm switch with heavy duty .031" thick, black neoprene diaphragm, externally	Call for Price	730-0512

DIAPHRAGM SWITCH FOR HAZARDOUS ATMOSPHERE APPLICATIONS U/L & CSA LISTED FOR CLASS II, GROUPS E, F & G			
MODEL	DESCRIPTION	PRICE	PART NO.
BM 65 R	BM 65 R - Diaphragm switch for hazardous locations with standard .016" thick, black neoprene	Call for Price	730-0099
BM 65 F	BM 65 F - Diaphragm switch for hazardous locations with standard .016" thick, black neoprene	Call for Price	730-0096
BM 65 RH	BM 65 RH - Diaphragm switch for hazardous locations with .020" Thick, black neoprene with nylon	Call for Price	730-0255
BM 65 FH	BM 65 FH - Diaphragm switch for hazardous locations with .020" Thick, black neoprene with nylon	Call for Price	730-0254
BM 65 RHT	BM 65 RHT - Diaphragm switch for hazardous locations with heavy duty .031" thick, grey silicone	Call for Price	730-0101
BM 65 RHPC	BM 65 RHPC - Plugged chute detection with 0.020" thick, black neoprene with mesh diaphragm and heavy duty switch spring, internally mounted	Call for Price	730-0675
BM 65 FHT	BM 65 FHT - Diaphragm switch for hazardous locations with heavy duty .031" thick, grey silicone	Call for Price	730-0098
BM 65 FHS	BM 65 FHS - Diaphragm switch for hazardous locations with .020" Thick, black neoprene with nylon mesh diaphragm, externally mounted, stainless steel mounting plate	Call for Price	730-0473
BM 65 FHPC	BM 65 FHPC - Plugged chute detection with 0.020" thick, black neoprene with mesh diaphragm and heavy duty switch spring, externally mounted	Call for Price	730-0676



HANGING TILT SWITCH			
MODEL	DESCRIPTION	PRICE	PART NO.
BM-T	BM-T - Tilt switch for high level limit switch applications	Call for Price	730-0016
TS-P	18" 316 Stainless steel paddle for tilt switch	Call for Price	416-0162
TS-S	18" 316 Stainless steel shaft with sphere for tilt switch	Call for Price	730-0110

MOUNTED TILT SWITCH			
MODEL	DESCRIPTION	PRICE	PART NO.
BM-TSM	Tilt switch for high-level limit switch applications for stationary mounting. Certified Class II, Groups, E, F, & G.	Call for Price	730-0667
EX	To order the BM-TSM with the ATEX option, select the BM-TSM part number and add the order code –EX to the end of the part number. For example, a BM-TSM with the ATEX option would be 730-0667-EX.		
TSE-G	Inches of 1/4" Galvanized shaft extension, includes paddle coupling, custom length.	Call for Price	999-1000
TSE-SS	Inches of 1/4" Stainless steel shaft extension, includes paddle coupling, custom length.	Call for Price	999-1001
GRP-2	GRP-2 - Triple-bladed, stainless steel paddle for average weight materials, paddle turns in a 5"	Call for Price	416-0152
TMS-SS	Tilt switch extension float, 5" diameter, 1/4" NPT machined, stainless steel	Call for Price	416-0686

MOUNTING PLATES (for use with BM-TSM)			
MODEL	DESCRIPTION	PRICE	PART NO.
GRMP-2	GRMP-2 0° Mild carbon steel full coupling, powder coated with black neoprene gasket	Call for Price	730-0022
GRMP-4	GRMP-4 0° Stainless steel full coupling with black neoprene gasket	Call for Price	730-0023
GRMP-15	GRMP-15 0° Stainless steel full coupling with white silicone gasket	Call for Price	730-0568
GRMP-9	GRMP-9 10° Mild carbon steel full coupling, powder coated with black neoprene gasket	Call for Price	730-0489
GRMP-16	GRMP-16 20° Mild carbon steel full coupling, powder coated with black neoprene gasket	Call for Price	730-0663
GRMP-13	GRMP-13 30° Mild carbon steel full coupling, powder coated with black neoprene gasket	Call for Price	730-0508