



VIBRATING ROD



Prices Subject To Change Without Notice
Not responsible for errors or omissions
FOB Lincoln, Nebraska USA

7201 N. 98th St., Lincoln, NE 68507 • P.O. Box 29709, Lincoln, NE 68529
Phone: 800-278-4241 or 402-434-9102 • Fax: 402-434-9133
www.binmaster.com • info@binmaster.com



VR-21

The VR-21 is our standard unit with a fixed insertion length of 7.37". It can be mounted on the top or side of a vessel to detect high/medium/low level indication or plugged chute detection. The standard version will operate in temperatures up to 176°F (80°C). A high temperature version is available to operate in temperatures up to 284°F (140°C). A set of remote electronics available for the VR-21 series vibrating rod includes an enclosure with mounting plate, terminal PCB and up to 20 ft. of cable to connect remote electronics.



VR-51

The VR-51 is extendable from 19" up to 19.5' through the use of a flexible cable. This unit is always top mounted and can be used to detect high/medium/low level indication. The standard version will operate in temperatures up to 158°F (70°C). A set of remote electronics available for the VR-41 series vibrating rods includes an enclosure with mounting plate, terminal PCB and up to 20 ft. of cable to connect remote electronics.



VR-41

The VR-41 is extendable from 13" up to 13', through the use of a solid galvanized or stainless steel extension tube. This unit is normally top mounted and can be used to detect high/medium/low level indication. The standard version will operate in temperatures up to 176°F (80°C). A high temperature version available to operate in temperatures up to 284°F (140°C). A set of remote electronics is available for the VR-41 series vibrating rod includes an enclosure with mounting plate, terminal PCB and up to 20 ft. of cable to connect remote electronics.



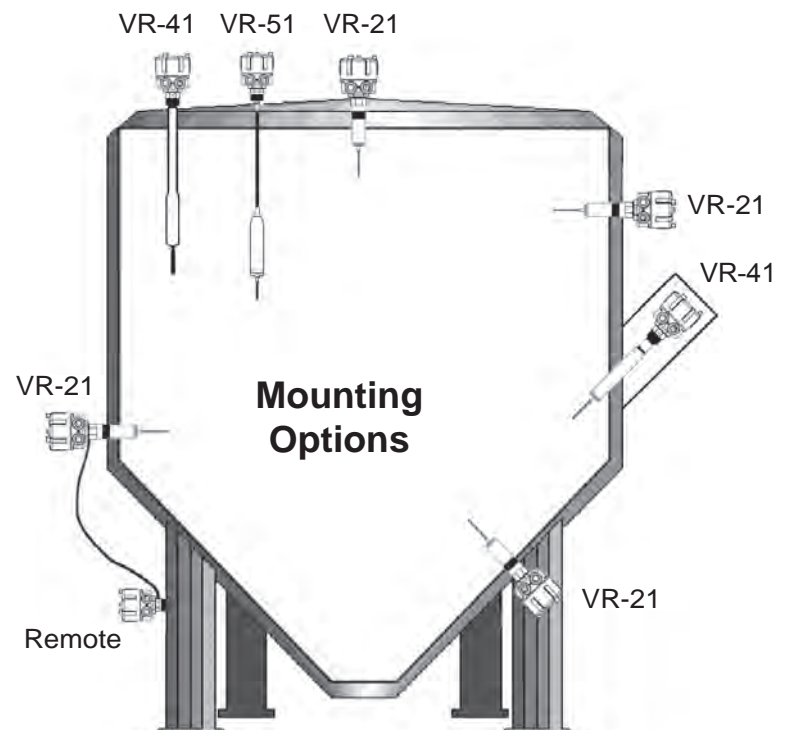
Single Rod Design

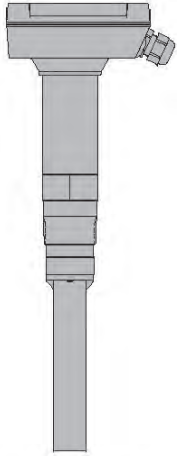
The single rod design eliminates the problem of false signaling due to material wedging and buildup associated with "tuning fork" type probes.



VR-21/41/51 Remote Electronics

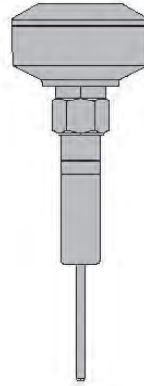
A set of remote electronics available for the VR-21/41/51 series vibrating rods includes an enclosure with mounting plate, terminal PCB and up to 20 ft. of cable to connect remote electronics.





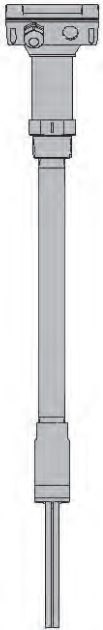
SHT-120

The SHT-120 works in applications with high process temperatures up to 482°F (250°C). The SHT-120 is our standard unit with an insertion length of 7.24". A 2.6" temperature lag tube is standard to lag the electronics away from a heat source or to clear external insulation. A set of remote electronics available for the SHT-120 series vibrating rod includes an enclosure with mounting plate, terminal PCB and up to 20 ft. of cable to connect remote electronics.



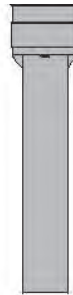
CVR-600

The CVR-600 compact vibrating rod is an economical, single-rod, compact point level control that has been designed for use in small bins and hoppers. The CVR-600 has an insertion length of 6". The small, yet rugged design allows you to use CVR-600 where other level sensors simply won't fit.



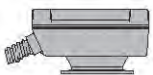
SHT-140

The SHT-140 is extendable from 13" up to 13', through the use of a solid galvanized or stainless steel extension tube. This unit is normally top mounted and can be used to detect high/medium/low level indication. The SHT-140 works in applications with high process temperatures up to 482°F (250°C). A set of remote electronics available for the SHT-140 series vibrating rod includes an enclosure with mounting plate, terminal PCB and up to 20 ft. of cable to connect remote electronics.



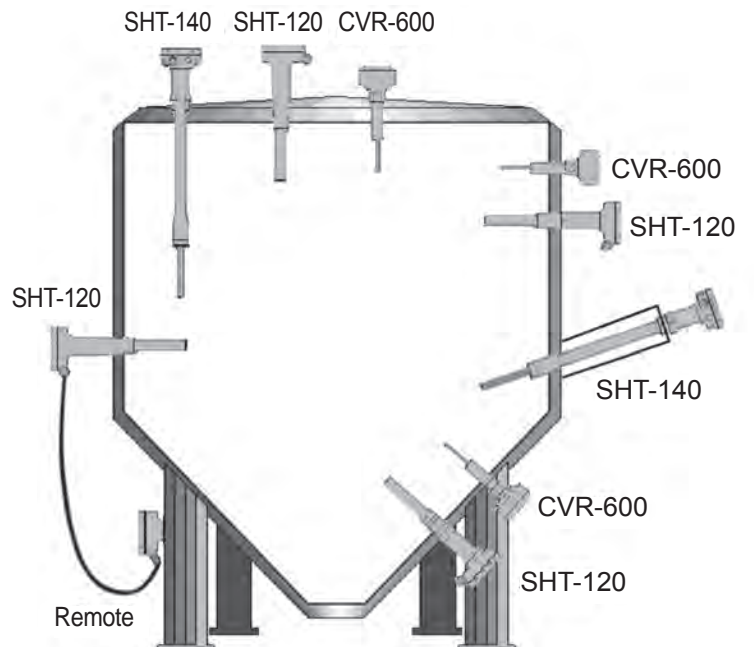
Single Rod Design

The single rod design eliminates the problem of false signaling due to material wedging and buildup associated with "tuning fork" type probes.



SHT-120/140 Remote Electronics

A set of remote electronics available for the SHT-120/140 series vibrating rods includes an enclosure with mounting plate, terminal PCB and up to 20 ft. of cable to connect remote electronics.



Configure Vibrating Rod

VR-21 Standard

Base - Options

_____ - _____
1 2

1. Base

VR-21: Standard
VR-21-X: EX

2. Options

HT: High Temperature
REM: Remote Electronics
SED: Submersed Solids

VR-31 Sanitary

Base - Options - Length

_____ - _____ - _____
1 2 3

1. Base

VR-31: 11.81" Std. Length
VR-31 C: Custom Length

2. Options

REM: Remote Electronics

3. Length

In inches from 12" to 78"

VR-51 Flexible Extension

Base - Options - Length

_____ - _____ - _____
1 2 3

1. Base

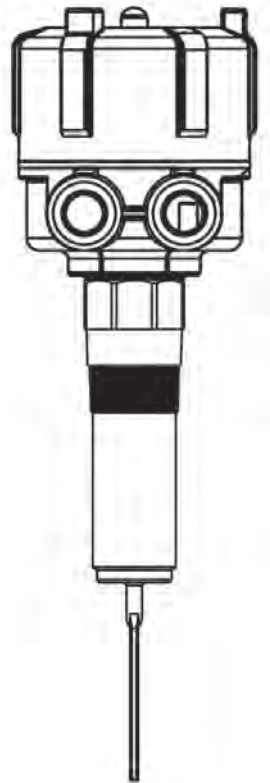
VR-51

2. Options

REM: Remote Electronics

3. Length

In inches from 19" to 19.5'



VR-41 Rigid Extension

Base - Pipe Extension - Options - Length

_____ - _____ - _____ - _____
1 2 3 4

1. Base

VR-41
VR-41-X: EX

2. Pipe Extension

G: Galvanized
SS: Stainless Steel

3. Options

HT: High Temperature
REM: Remote Electronics
SED: Submersed Solids

4. Length

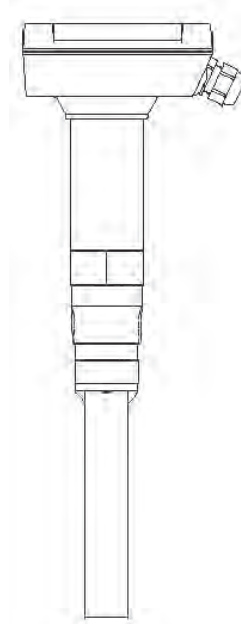
In inches from 13" to 13'

Configure HT Vibrating Rod

SHT-120 High Temperature Base - Options

_____ - _____
1 2

- 1. Base**
SHT-120
- 2. Options**
REM: Remote Electronics

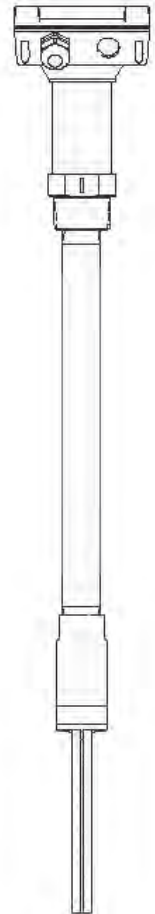


SHT-140 HT Extended

Base - Pipe Extension - Options - Length

_____ - _____ - _____ - _____
1 2 3 4

- 1. Base**
SHT-140
- 2. Pipe Extension**
G: Galvanized
SS: Stainless Steel
- 3. Options**
REM: Remote Electronics
- 3. Length**
In inches from 13" to 13'



Order Code	Description	List Price	Part Number
VR-21 Standard Vibrating Rod			
VR-21	VR-21 - Vibrating rod level sensor, 20 to 250V AC/DC, 7.37" insertion length, process temp to 176°F (80°C), triple thread screw-off cover, dual conduit entries, DPDT relay contacts, selectable fail-safe protection, FDA recognized powder coat finish, LED status indicator light	Call for Price	730-5135
VR-21-X	VR-21-X - Vibrating rod level sensor, 20 to 250V AC/DC, 7.37" insertion length, process temp to 176°F (80°C), triple thread screw-off cover, dual conduit entries, DPDT relay contacts, selectable fail-safe protection, FDA recognized powder coat finish, LED status indicator light; CSA C/US listed for Class II, Groups E, F, & G.	Call for Price	730-5129
VR-21 Vibrating Rod Options			
HT	High temperature probe assembly, process temperatures to 284°F (140°C)	Call for Price	530-0674
REM	Set of remote electronics for all VR series vibrating rods includes enclosure with mounting plate, terminal PCB and up to 20' of cable to connect remote electronics (length must be specified)	Call for Price	530-0653
SED	Sediment option for detecting submersed solids under a liquid. Cannot be combined with HT option.	Call for Price	530-0733
VR-41 Rigid Extended Vibrating Rod			
VR-41	VR-41 - Vibrating rod level sensor with pipe extension, 20 to 250V AC/DC, process temp to 176°F (80°C), triple thread screw-off cover, dual conduit entries, DPDT relay contacts, selectable fail-safe protection, FDA recognized powder coat finish, LED status indicator light. Must add rod pipe extension below.	Call for Price	730-5136
VR-41-X	VR-41-X - Vibrating rod level sensor with pipe extension, 20 to 250V AC/DC, process temp to 176°F (80°C), triple thread screw-off cover, dual conduit entries, DPDT relay contacts, selectable fail-safe protection, FDA recognized powder coat finish, LED status indicator light. CSA C/US listed for Class II, Groups E, F, & G. Must add rod pipe extension below	Call for Price	730-5131
VR-41 Vibrating Rod Pipe Extensions			
G	inches of Galvanized pipe extension. Must specify total insertion length of vibrating sensor probe from 13" up to 13'. Sold per inch.	Call for Price	175-0128
SS	inches of Stainless steel pipe extension. Must specify total insertion length of vibrating sensor probe from 13" up to 13'. Sold per inch.	Call for Price	175-0121
SS	1" SS NPT female coupler to attach shaft guards together	Call for Price	201-9035
VR-41 Vibrating Rod Options			
HT	High temperature probe assembly, process temperatures to 284°F (140°C).	Call for Price	530-0676
REM	Set of remote electronics for all VR series vibrating rods includes enclosure with mounting plate, terminal PCB and up to 20' of cable to connect remote electronics (length must be specified)	Call for Price	530-0653
SED	Sediment option for detecting submersed solids under a liquid. Cannot be combined with HT option.	Call for Price	530-0735
VR-51 Flexible Extended Vibrating Rod			
VR-51	VR-51 - Vibrating rod level sensor with flexible cable extension, 20 to 250V AC/DC, process temp to 176°F (80°C), triple thread screw-off cover, dual conduit entries, DPDT relay contacts, selectable fail-safe protection, FDA recognized powder coat finish, LED status indicator light. Must specify total insertion length from 19" up to 19.5'. Sold per foot.	Call for Price	730-5133
VR-51 Vibrating Rod Options			
REM	Set of remote electronics for all VR series vibrating rods includes enclosure with mounting plate, terminal PCB and up to 20' of cable to connect remote electronics (length must be specified)	Call for Price	530-0653

Order Code	Description	List Price	Part Number
VR-31 Sanitary Extended Vibrating Rod			
VR-31	VR-31 - Sanitary vibrating sensor, 20 to 250V AC/DC, 11.81" insertion length, with a 2" stainless steel sanitary fitting for use with tri-clover style clamp. Process temp to 176°F (80°C).	Call for Price	730-5158
VR-31-C	VR-31-C - Custom length sanitary vibrating sensor, 20 to 250V AC/DC, 12" to 78" insertion length (must specify length), with a 2" stainless steel sanitary fitting for use with tri-clover style clamp. Process temp to 176°F (80°C). Sold per inch over 12 inches.	Call for Price	730-5159
VR-31 Vibrating Rod Options			
REM	Set of remote electronics for all VR series vibrating rods includes enclosure with mounting plate, terminal PCB and up to 20' of cable to connect remote electronics (length must be specified)	Call for Price	530-0515
VR-31 Vibrating Rod Mounting Accessories			
	Tri-clover style, quick disconnect clamp for 2" sanitary fitting	Call for Price	215-0151
	Gasket for 2" clamp connection	Call for Price	280-0084
	2" stainless steel welding ferrule flange	Call for Price	175-0230
SHT-120 High Temperature Vibrating Rod			
SHT-120	SHT-120 - Vibrating rod level sensor with 7.37" insertion length, 20 to 250V AC/DC, high temp probe assembly for maximum process temperature 480°F (250°C)	Call for Price	730-5047
SHT-120 High Temperature Vibrating Rod Options			
REM	Set of remote electronics for all VR series vibrating rods includes enclosure with mounting plate, terminal PCB and up to 20' of cable to connect remote electronics (length must be specified)	Call for Price	530-0515
SHT-140 High Temperature Vibrating Rod			
SHT-140	SHT-140 - Vibrating rod level sensor, 20 to 250V AC/DC, high temp probe assembly for maximum process temperature 480°F (250°C). Must add rod pipe extension below.	Call for Price	730-5092
SHT-140 High Temperature Vibrating Rod Options			
G	inches of Galvanized pipe extension. Must specify total insertion length of vibrating sensor probe from 13" up to 13'. Sold per inch.	Call for Price	175-0128
SS	inches of Stainless steel pipe extension. Must specify total insertion length of vibrating sensor probe from 13" up to 13'. Sold per inch.	Call for Price	175-0121
SHT-140 High Temperature Vibrating Rod Options			
REM	Set of remote electronics for all VR series vibrating rods includes enclosure with mounting plate, terminal PCB and up to 20' of cable to connect remote electronics (length must be specified)	Call for Price	530-0515
Compact Vibrating Rod			
CVR-600	CVR-600 - Compact vibrating rod level sensor with 1" NPT and 6" insertion length, 20 to 250V AC/DC	Call for Price	730-0474
CVR-600-HTL	CVR-600-HTL - Compact vibrating rod level sensor with 1" NPT and 6" insertion length, 20 to 250V AC/DC, high temp probe assembly for temperatures up to 300°F (150°C) with 2" temperature insulating lag tube	Call for Price	730-0475
CVR-625	CVR-625 - Compact vibrating rod level sensor with 1-1/4" NPT and 6" insertion length, 20 to 250V AC/DC	Call for Price	730-0653
CVR-625-HTL	CVR-625-HTL - Compact vibrating rod level sensor with 1-1/4" NPT and 6" insertion length, 20 to 250V AC/DC, high temp probe assembly for temperatures up to 300°F (150°C) with 2" temperature insulating lag tube	Call for Price	730-0654
Vibrating Rod Mounting Plates			
GRMP-1	GRMP-1 0° Mild carbon steel half coupling with black neoprene gasket	Call for Price	730-0020
GRMP-2	GRMP-2 0° Mild carbon steel full coupling, powder coated with black neoprene gasket	Call for Price	730-0022
GRMP-6	GRMP-6 1-1/2" NPT Powder coated carbon steel mounting plate with half coupling	Call for Price	730-0298
GRMP-8	GRMP-8 1-1/2" NPT Stainless steel mounting plate with half coupling	Call for Price	730-0469
GRMP-10	GRMP-10 1" NPT Powder coated carbon steel mounting plate with half coupling	Call for Price	730-0488
GRMP-17	GRMP-17 10 degree, 1-1/2" NPT mounting plate	Call for Price	730-0632
GRMP-18	GRMP-18 30 degree, 1-1/2" NPT mounting plate	Call for Price	730-0633