

BinMaster Price Book

Effective January 1, 2015 Rev. D



Rotary



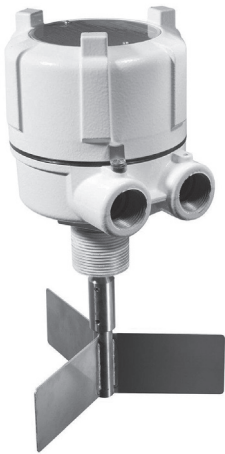
BINMASTER

Prices Subject To Change Without Notice
Not responsible for errors or omissions.
F.O.B. Lincoln, Nebraska USA

Shipping Address: 7201 N. 98th St., Lincoln, NE 68507 / Mailing Address: P.O. Box 29709, Lincoln, NE 68529
Phone: 800-278-4241 or 402-434-9102 / Fax: 402-434-9133
www.binmaster.com / info@binmaster.com

BMRX AND MAXIMA+ ROTARY POWER PACS

BMRX



The affordable BMRX is our standard rotary level control. It includes easy access to the electronics through a triple-threaded screw-off cover and removable wire terminals for easy wiring, DPDT relay output, plus an easy-access dual conduit entrance. New fail-safe protection eliminates process accidents due to power loss. This cost-effective paddle-style device includes state-of-the-art refinements that make it more secure and reliable, as well as easier to maintain.

MAXIMA+



The MAXIMA+ is our state-of-the-art, microprocessor based, fail-safe and fool-proof rotary level indicator. The distinguishing feature of the MAXIMA+ is its ability to continuously self diagnose itself, and in the event of a failure, gives an immediate warning and instantaneous corrective response. This means the MAXIMA+ is the rotary of choice whenever it's crucial that continuous operation of the unit must be confirmed.

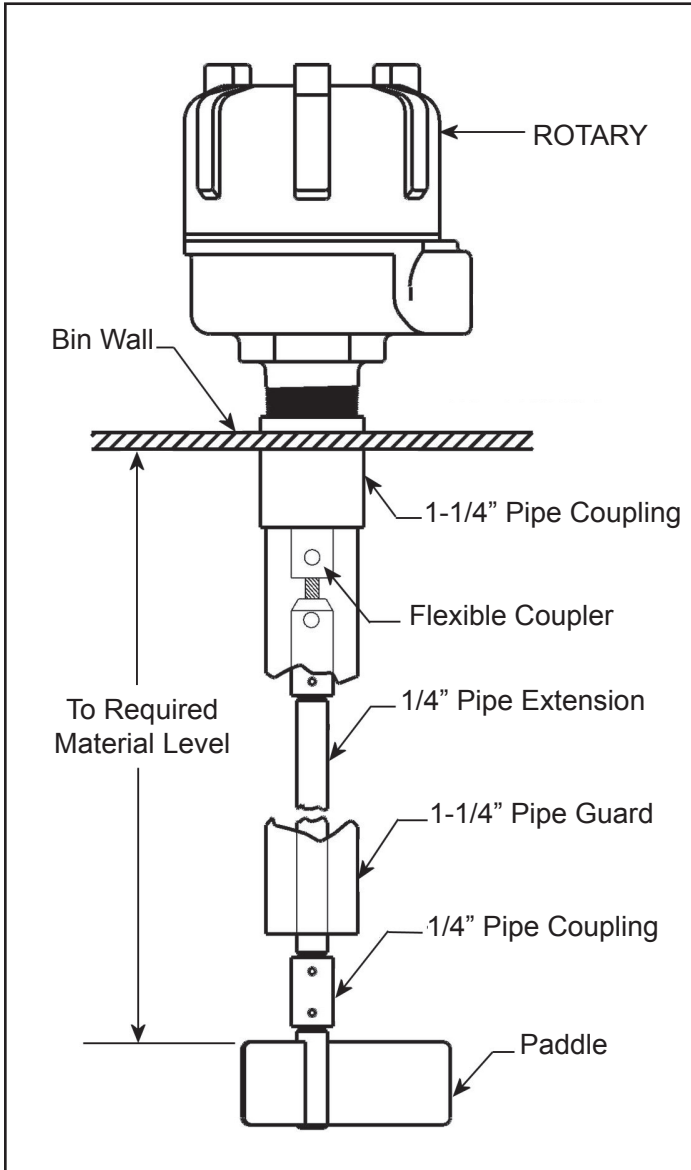
BMRX POWER PACS WHEN ORDERING INDIVIDUALLY

MODEL	VOLTAGE	DESCRIPTION	PRICE	PART NO.
BMRX 115	115 VAC	All models of the BMRX rotary level indicator feature a triple thread screw-off cover, dual conduit entries, DPDT relay contacts, selectable fail-safe protection, FDA recognized powder coat finish, hazardous location approval, and are C/US listed for Class I, Groups C & D and Class II, Groups E, F, & G.	Call Us	730-0504
BMRX 230	230 VAC		Call Us	730-0503
BMRX 24 AC	24 VAC		Call Us	730-0505
BMRX 24 DC	12 to 24 VDC		Call Us	730-0661
ORDER CODE	BMRX POWER PAC ATEX OPTION			
EX		To order the BMRX with the ATEX option, select the BMRX power pac part number and add the order code -EX to the end of the part number. For example, a 730-0504-EX would be a 115 VAC BMRX with ATEX approval.		

MAXIMA+ FAIL-SAFE POWER PACS WHEN ORDERING INDIVIDUALLY

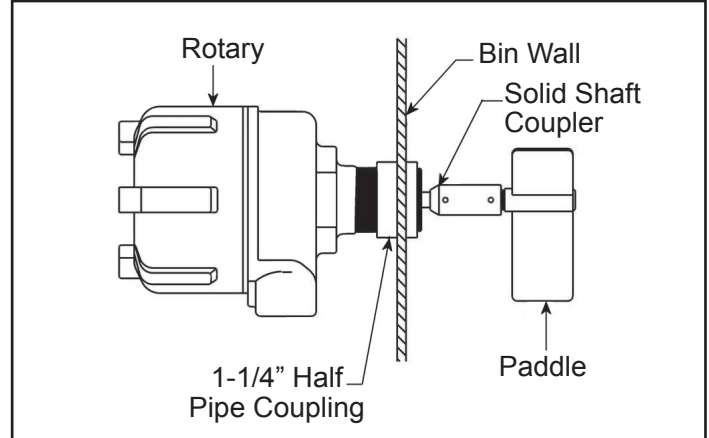
MODEL	VOLTAGE	DESCRIPTION	PRICE	PART NO.
MAXIMA + AC	24/115/230 VAC	All models of the MAXIMA+ are hazardous location approved, C/US listed for Class II, Groups E, F, & G and feature a visual LED status light monitoring paddle rotation, paddle covered, and fault conditions. Complete with DPDT relay contacts, fail-safe protection, and SPDT normal and fault relay contact, and FDA recognized powder coated finish.	Call Us	730-0528
MAXIMA + 24 DC	12 to 24 VDC		Call Us	730-0662
ORDER CODE	MAXIMA+ POWER PAC ATEX OPTION			
EX		To order the MAXIMA+ with the ATEX option, select the MAXIMA+ power pac part number and add the order code -EX to the end of the part number. For example, a 730-0536-EX would be a 24 VDC BMRX with ATEX approval.		

STANDARD HORIZONTAL AND VERTICAL MOUNTED ROTARY



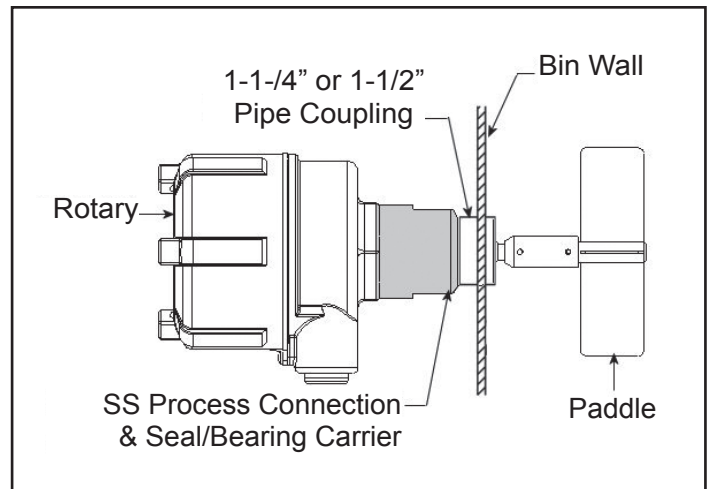
Standard Extended Vertical Mounted Rotary

Standard mounted rotary for straight vertical installations. Angled mounting plates are available for sloped roof installations. The pipe guards and extensions are available in both galvanized or stainless steel (see page 7 & 8)



Standard Horizontal or Vertical Mounted Rotary

Standard mounted rotary for vertical, horizontal and angled installations

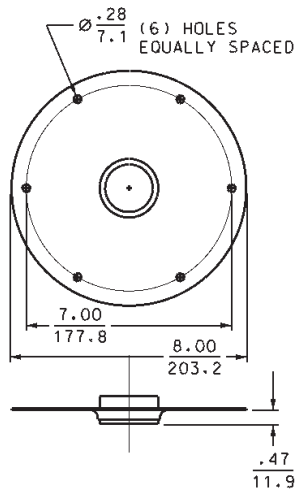


Standard Horizontal or Vertical Mounted Rotary with Optional SS Process Connection Bearing Carrier

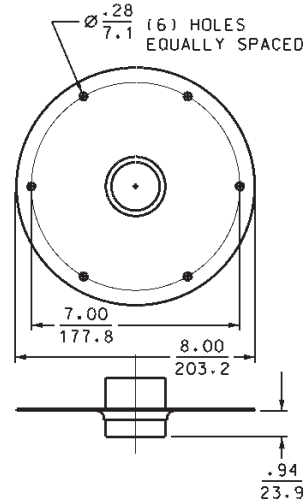
The optional stainless steel process connection and seal/bearing carrier is used in corrosive applications. All parts in contact with the materials in the bin are stainless steel (see page 11)

Mounting Plates

Mounting plates allow the rotary units to be mounted from the outside of a vessel on a curved or flat surface. A half coupling mounting plate is used in side mount installations. A full coupling mounting plate is for use in top mount installations where a shaft extension and shaft guards are required. Both mounting plates are available in powder coated carbon steel and stainless steel for use in corrosive environments.



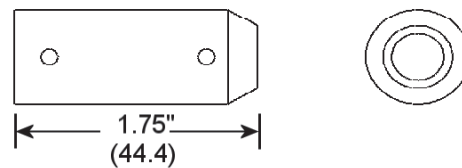
Half Coupling Mounting Plate



Full Coupling Mounting Plate

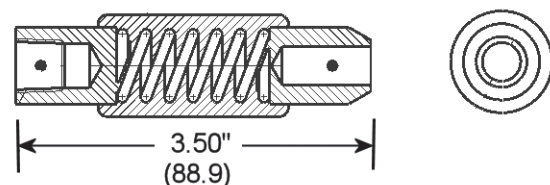
Solid Shaft Coupler

A short solid shaft coupler should be used in side mount installations.



Flexible Shaft Coupler

The flexible coupler should be used in top mount installations to absorb side loads and protect the internal workings of the unit.



Paddle Assemblies

GRP-1
Stainless steel for light materials, 3-vane paddle, turns in 7" diameter.

GRP-2
Stainless steel for medium materials, 3-vane paddle, turns in 5" diameter.

GRP-3
Stainless steel for heavy materials, single vane, turns in 5" diameter, insertable through a 1-1/4" or 1-1/2" NPT opening.

GRP-11
Economical nylon paddle for light materials, 3-vane paddle, turns in 7" diameter.

GRP-12
Economical nylon paddle for medium materials 3-vane paddle, turns in 5" diameter.

GRP-22
Stainless steel for heavy materials, 3-vane paddle, turns in 5" diameter.

GRP-23
Stainless steel single bayonet style paddle, turns in 5" diameter. Insertable through a 1-1/4" or 1-1/2" NPT opening.

GRP-24
12" belt paddle for use in heavy material with large particulate size such as rock, coal or aggregate.

GRP-25
Stainless steel for very light materials, 3-vane, paddles are 5" tall and 1/16" thick to increase resistance in light materials.

GRP-26
Direct connect version of GRP-1 for light materials, 3-vane, stainless steel, 7" diameter with blades that are 2" wide (side mounting only).

GRP-27
Direct connect version of GRP-23 paddle for medium materials. Insertable, single bayonet style, stainless steel, blade is 1/8" thick and 1" wide (side mounting only).

GRP-28
Stainless steel for extremely light materials, 3-vane, 7" diameter for added resistance, blades are 5" tall and 1/16" thick to increase resistance in light materials.

GRP-29
Direct connect version of GRP-25, 3-vane, stainless steel paddle for very light materials, paddles are 5" tall and 1/16" thick to increase resistance in light materials (side mounting only).

GRP-30
Direct connect version of GRP-2 for medium materials, 3-vane paddle, stainless steel, turns in 5" diameter, (side mounting only).

GRP-31
Stainless steel, single-bladed, 3-1/4" long for heavy materials, turns in 6-1/2" diameter, blade is 1/8" thick and 1.63" wide.

GRP-34
Stainless steel, single-bladed, direct connect, insertable paddle, folds to insert through a 1-1/4" or 1-1/2" NPT opening, turns in 7-1/2" diameter. Paddle blades are 1-1/2" wide.

GRP-35
Stainless steel, double-bladed, direct connect, insertable paddle, folds to insert through a 1-1/4" or 1-1/2" NPT opening, turns in 7-1/2" diameter, paddles blades are 1-1/2" wide.

GRP-36
Stainless steel, single-bladed, threaded, insertable paddle, folds to insert through a 1-1/4" or 1-1/2" NPT opening, turns in 7-1/2" diameter, paddles blades are 1-1/2" wide.

GRP-37
Stainless steel, double-bladed, threaded, insertable paddle, folds to insert through a 1-1/4" or 1-1/2" NPT opening, turns in 7-1/2" diameter, paddles blades are 1-1/2" wide.

SHAFT COUPLERS WHEN ORDERING INDIVIDUALLY

MODEL	DESCRIPTION	PRICE	PART NO.
GRSS-1	Solid shaft, stainless steel side mount coupler	Call Us	299-0004
GRFC-1	Flexible stainless steel top mount coupler	Call Us	416-0155
BSA	Bindicator shaft adapter, stainless steel	Call Us	416-0294
GRFS-1	Molded neoprene, flexible shaft, stainless steel top mount coupler	Call Us	416-0283
GRPC-1	1-1/4" Stainless steel process connection for 1" coupled pipe guards	Call Us	175-0196
GRPC-2	1-1/2" Stainless steel process connection for 1" coupled pipe guards	Call Us	175-0198
GRPC-3	1-1/4" Aluminum process connection for 1" coupled pipe guards	Call Us	175-0197
GRPC-4	1-1/2" Aluminum process connection for 1" coupled pipe guards	Call Us	175-0199

SIDE MOUNTING PLATES WHEN ORDERING INDIVIDUALLY

MODEL	DESCRIPTION	PRICE	PART NO.
GRMP-1	0° Mild carbon steel half coupling with black neoprene gasket	Call Us	730-0020
GRMP-3	0° Stainless steel half coupling with black neoprene gasket	Call Us	730-0021
GRMP-14	0° Stainless steel half coupling with white silicone gasket	Call Us	730-0567

TOP MOUNTING PLATES WHEN ORDERING INDIVIDUALLY

MODEL	DESCRIPTION	PRICE	PART NO.
GRMP-2	0° Mild carbon steel full coupling, powder coated with black neoprene gasket	Call Us	730-0022
GRMP-4	0° Stainless steel full coupling with black neoprene gasket	Call Us	730-0023
GRMP-15	0° Stainless steel full coupling with white silicone gasket	Call Us	730-0568
GRMP-9	10° Mild carbon steel full coupling, powder coated with black neoprene gasket	Call Us	730-0489
GRMP-16	20° Mild carbon steel full coupling, powder coated with black neoprene gasket	Call Us	730-0663
GRMP-13	30° Mild carbon steel full coupling, powder coated with black neoprene gasket	Call Us	730-0508

PADDLES WHEN ORDERING INDIVIDUALLY

MODEL	DESCRIPTION	PRICE	PART NO.
GRP-11	High strength nylon paddle for lightweight materials, triple-bladed paddle turns in a 7" diameter, blades are 2" wide	Call Us	299-0009
GRP-12	High strength nylon paddle for average weight materials, triple-bladed paddle turns in a 5" diameter	Call Us	299-0010
GRP-1	For lightweight materials, triple-bladed, stainless steel paddle turns in a 7" diameter, paddle blades are 2" wide	Call Us	416-0161
GRP-2	For average weight materials, triple-bladed, stainless steel paddle turns in a 5" diameter, paddle blades are 1-1/2" wide	Call Us	416-0152
GRP-3	For average to heavy materials, single-blade, stainless steel paddle is 2-1/2" long and turns in a 5" diameter, insertable paddle blade is 1/8" thick and 1" wide	Call Us	416-0153
GRP-22	For average to heavy materials, triple-bladed, stainless steel paddle turns in a 5" diameter, paddle blades are 1" wide and 1/8" thick	Call Us	416-0160
GRP-23	For high level control in light and medium materials and low level control in light materials, single bayonet blade, stainless steel paddle, insertable paddle blade is 1" wide and 1/8" thick	Call Us	416-0154
GRP-24	12" Belt paddle for high level control in heavy materials with large particle size	Call Us	416-0259
GRP-25	For very light materials, triple-bladed, stainless steel paddle turns in a 5" diameter, paddle blades are 5" tall and 1/16" thick	Call Us	416-0261
GRP-26	Direct connect version of GRP-1 (eliminates need for GRSS-1 coupler)	Call Us	416-0265
GRP-27	Direct connect version of GRP-23 (eliminates need for GRSS-1 coupler)	Call Us	416-0266
GRP-28	For extremely light materials, triple-blade, stainless steel paddle turns in a 7" diameter, paddle blades are 5" tall and 1/16" thick	Call Us	416-0336
GRP-29	Direct connect version of GRP-25 (eliminates need for GRSS-1 coupler)	Call Us	416-0430
GRP-30	Direct connect version of GRP-2 (eliminates need for GRSS-1 coupler)	Call Us	416-0100
GRP-31	For medium to heavy materials, single-blade, stainless steel paddle is 3.25" long and turns in a 6.5" diameter, paddle blade is 1.63" wide and 1/8" thick	Call Us	416-0487
GRP-34	Direct connect, folding, single-bladed, insertable paddle for medium materials, will fold to insert through a 1-1/4" or 1-1/2" process connection, turns in a 7.5" diameter, paddle blade is 1-1/2" wide	Call Us	416-0513
GRP-35	Direct connect, folding, double-bladed, insertable paddle for light to medium materials, will fold to insert through a 1-1/4" or 1-1/2" process connection, turns in a 7.5" diameter, paddle blades are 1-1/2" wide	Call Us	416-0514
GRP-36	Threaded, folding, single-bladed, insertable paddle for medium materials, will fold to insert through a 1-1/4" or 1-1/2" process connection, turns in a 7.5" diameter, paddle blade is 1-1/2" wide, for use with standard threaded coupler	Call Us	416-0556
GRP-37	Threaded, folding, double-bladed, insertable paddle for light to medium materials, will fold to insert through a 1-1/4" or 1-1/2" process connection, turns in a 7.5" diameter, paddle blades are 1-1/2" wide, for use with standard threaded coupler	Call Us	416-0557

STANDARD ROTARY SHAFT EXTENSIONS AND GUARDS WITHOUT BEARING AND SEAL AT TUBE END

PART NO.	LENGTH	PRICE
1/4" Galvanized Shaft Extension		
299-0407	6" x 1/4" Galvanized shaft extension, includes paddle coupling	Call Us
299-0408	12" x 1/4" Galvanized shaft extension, includes paddle coupling	Call Us
299-0409	18" x 1/4" Galvanized shaft extension, includes paddle coupling	Call Us
299-0410	24" x 1/4" Galvanized shaft extension, includes paddle coupling	Call Us
299-0682	30" x 1/4" Galvanized shaft extension, includes paddle coupling	Call Us
299-0411	36" x 1/4" Galvanized shaft extension, includes paddle coupling	Call Us
299-0412	48" x 1/4" Galvanized shaft extension, includes paddle coupling	Call Us
299-0609	60" x 1/4" Galvanized shaft extension, includes paddle coupling	Call Us
299-0610	63" x 1/4" Galvanized shaft extension, includes paddle coupling	Call Us
299-0611	72" X 1/4" Galvanized shaft extension, includes paddle coupling	Call Us
299-0612	84" X 1/4" Galvanized shaft extension, includes paddle coupling	Call Us
1/4" Stainless Steel Shaft Extension		
299-0413	6" x 1/4" Stainless steel shaft extension, includes paddle coupling	Call Us
299-0414	12" x 1/4" Stainless steel shaft extension, includes paddle coupling	Call Us
299-0415	18" x 1/4" Stainless steel shaft extension, includes paddle coupling	Call Us
299-0416	24" x 1/4" Stainless steel shaft extension, includes paddle coupling	Call Us
299-0735	30" x 1/4" Stainless steel shaft extension, includes paddle coupling	Call Us
299-0417	36" x 1/4" Stainless steel shaft extension, includes paddle coupling	Call Us
299-0418	48" x 1/4" Stainless steel shaft extension, includes paddle coupling	Call Us
299-0634	60" x 1/4" Stainless steel shaft extension, includes paddle coupling	Call Us
299-0636	72" x 1/4" Stainless steel shaft extension, includes paddle coupling	Call Us
299-0637	84" x 1/4" Stainless steel shaft extension, includes paddle coupling	Call Us
1-1/4" Galvanized Shaft Guard		
299-0681	18" x 1-1/4" Galvanized shaft guard	Call Us
299-0419	24" x 1-1/4" Galvanized shaft guard	Call Us
299-0736	30" x 1-1/4" Galvanized shaft guard	Call Us
299-0420	36" x 1-1/4" Galvanized shaft guard	Call Us
299-0421	48" x 1-1/4" Galvanized shaft guard	Call Us
299-0613	60" x 1-1/4" Galvanized shaft guard	Call Us
299-0614	63" x 1-1/4" Galvanized shaft guard	Call Us
299-0615	72" x 1-1/4" Galvanized shaft guard	Call Us
299-0616	84" x 1-1/4" Galvanized shaft guard	Call Us
1-1/4" Stainless Steel Shaft Guard		
299-0737	18" x 1-1/4" Stainless steel shaft guard	Call Us
299-0422	24" x 1-1/4" Stainless steel shaft guard	Call Us
299-0738	30" x 1-1/4" Stainless steel shaft guard	Call Us
299-0423	36" x 1-1/4" Stainless steel shaft guard	Call Us
299-0424	48" x 1-1/4" Stainless steel shaft guard	Call Us
299-0638	60" x 1-1/4" Stainless steel shaft guard	Call Us
299-0639	63" x 1-1/4" Stainless steel shaft guard	Call Us
299-0640	72" x 1-1/4" Stainless steel shaft guard	Call Us
299-0641	84" x 1-1/4" Stainless steel shaft guard	Call Us

Note:

1. Any shaft extension over 24" should include a shaft guard.
2. Maximum available single piece length is 72" (1.829mm). Maximum coupled length is 12'.
3. Extension / guard lengths greater than 72" (1.829mm) must be ordered in multiple sections to reach the desired length.
4. When joining multiple pipe guards, use either 201-9010 galvanized coupling or 201-9033 stainless steel coupling.

CUSTOM SHAFT EXTENSION & GUARDS

PART NO.	DESCRIPTION	PRICE
999-1000*	1/4" Galvanized shaft extension, includes paddle coupling (specify length)	Call Us
999-1002*	1-1/4" Galvanized guard pipe (specify length)	Call Us
999-1001*	1/4" Stainless steel shaft extension, includes coupling (specify length)	Call Us
999-1003*	1-1/4" Stainless steel guard pipe (specify length)	Call Us
201-9028	1/4" Aluminum NPT female coupler to attach paddle to shaft extensions or shaft extensions together	Call Us
201-9029	1/4" SS NPT female coupler to attach paddle to shaft extensions or shaft extensions together	Call Us
201-9010	1-1/4" Galvanized NPT female coupler to attach guard pipes together	Call Us
201-9033	1-1/4" Stainless steel NPT female coupler to attach guard pipes together	Call Us
416-0641	Adjustable rotary mount	Call Us

*Note:

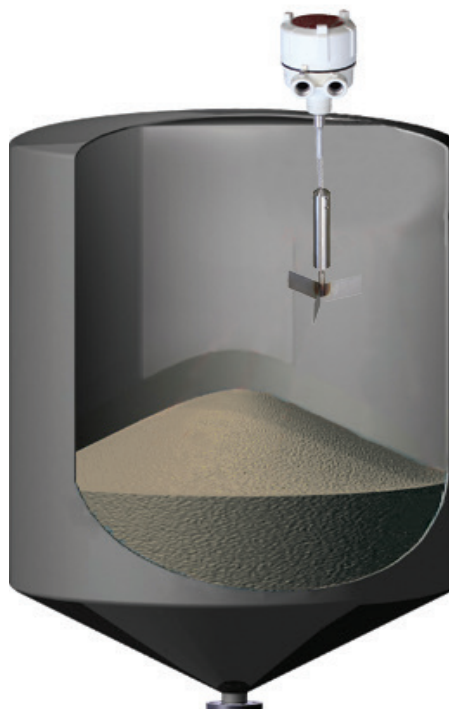
1. Minimum 6" billing length on extensions and guards.
2. 8' UPS maximum shipping length.

VERTICAL MOUNTED FLEXIBLE HANGING ROTARY EXTENSION

PART NO.	DESCRIPTION	PRICE
530-0749	Single flexible Ø 5/16" (8 mm) 316 stainless steel cable with counterweight and coupler to attach power pac shaft. Counterweight includes shaft to connect paddle. Maximum length 14' (specify length).	Call Us



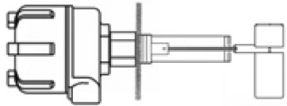
Vertical
Flexible
Shaft
Extension



HORIZONTAL AND VERTICAL COUPLED EXTENSIONS

Note: When ordering horizontal or vertical extensions, refer to the specific page indicated for pricing.

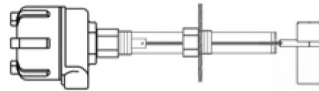
Fig. 1
(page 12)



Extended Horizontal or Vertical Mounted Rotary with Seal and Bearing at Tube End

Extended rotary with 1" protection tube for vertical, horizontal and angled installations. Comes in 6", 8", 10", or 12" fixed insertion lengths.

Fig. 2
(page 12)



Extended Horizontal or Vertical Mounted Rotary with Seal and Bearing at Tube End and Heat Tube

Extended rotary with 1" protection tube and heat tube for high temp. vertical, horizontal and angled installations. Heat tube comes in 8" or 12" lengths. Protection tube comes in 6", 8", 10" or 12" fixed insertion lengths.

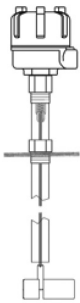
Fig. 3
(page 13)



Coupled Extended Vertical Mounted Rotary without Seal and Bearing at Tube End

Extended rotary with 1" shaft guard for straight vertical installations. The shaft guard is coupled directly into the process connection so it can be inserted through a 1-1/4" or 1-1/2" fitting.

Fig. 4
(page 13)



Coupled Extended Vertical Mounted Rotary without Seal and Bearing at Tube End and Heat Tube

Extended rotary with 1" shaft guard and heat tube for high temp. Straight vertical installations. The shaft guard is coupled directly into the process connection so it can be inserted through a 1-1/4" or 1-1/2" fitting.

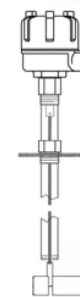
Fig. 5
(page 14)



Coupled Extended Vertical Mounted Rotary with Seal and Bearing at Tube End

Extended rotary with 1" shaft guard for straight vertical and angled installations. The shaft guard is coupled directly into the process connection so it can be inserted through a 1-1/4" or 1-1/2" fitting.

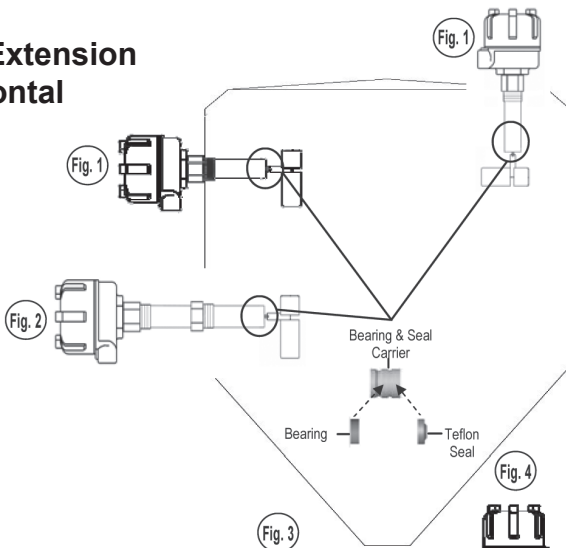
Fig. 6
(page 14)



Coupled Extended Vertical Mounted Rotary with Seal and Bearing at Tube End and Heat Tube

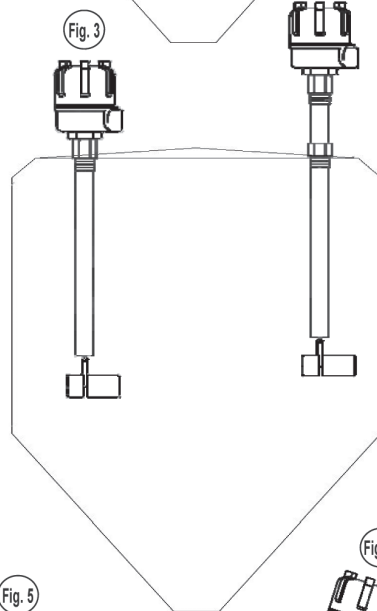
Extended rotary with 1" protection tube and heat tube for high temp. Straight vertical and angled installations. The shaft guard is coupled directly into the process connection so it can be inserted through a 1-1/4" or 1-1/2" fitting.

Pipe Extension Horizontal



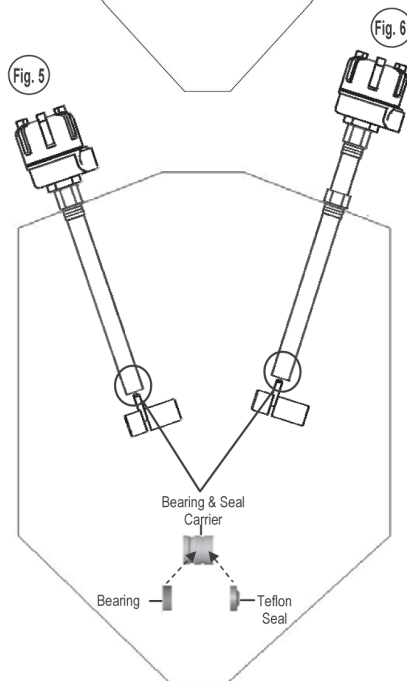
This extension was designed for horizontal applications that need the paddle extended from 6 to 12 inches from the vessel sidewall without compromising any strength. A bearing and shaft seal are at the shaft guard end to center the shaft extension and prevent material from getting up into shaft guard. This unit can also be installed in angled hoppers or vertically from the top. A single vane folding insertable paddle is recommended. This paddle will collapse to fit through a standard 1-1/4" or 1-1/2" process connection from outside the vessel, eliminating the need to cut large holes or go into the vessel. A heat tube is available for high temperature applications.

Pipe Extension Vertical



This extension was designed to extend vertically with a 1" shaft guard and 1/4" shaft extension. The shaft guard is coupled directly into the process connection so it can be mounted without having to use a full coupling mounting plate. A double vane folding insertable paddle is recommended. This paddle will collapse to fit through a standard 1-1/4" or 1-1/2" process connection from outside the vessel, eliminating the need to cut large holes or gain access into the vessel. It also allows you to simply drop in a rotary where another kind of technology may not be working well in your application. A heat tube is available for high temperature applications.

Pipe Extension Vertical or Angled



This extension was designed for angled vertical applications. A bearing and shaft seal are at the shaft guard end to center the shaft extension and prevent material from getting up into shaft guard. The shaft guard is coupled directly into the process connection so it can be mounted without having to use a full coupling mounting plate. A double or single vane folding insertable paddle is recommended. This paddle will collapse to fit through a standard 1-1/4" or 1-1/2" process connection from outside the vessel, eliminating the need to cut large holes or gain access into the vessel. A heat tube is available for high temperature applications.

Note: The following rotary power pacs part numbers must be used when ordering with any type of solid state relay, stainless steel process connections & seal/bearing carrier or extension.

BMRX POWER PACS WHEN ORDERING WITH EXTENSIONS				
MODEL	VOLTAGE	DESCRIPTION	PRICE	PART NO.
BMRX 115	115 VAC	All models of the BMRX rotary level indicator feature a triple thread screw-off cover, dual conduit entries, DPDT relay contacts, selectable fail-safe protection, FDA recognized powder coat finish, hazardous location approval, and are C/US listed for Class I, Groups C & D and Class II, Groups E, F, & G.	Call Us	730-5096
BMRX 230	230 VAC		Call Us	730-5097
BMRX 24 AC	24 VAC		Call Us	730-5098
BMRX 24 DC	12 to 24 VDC		Call Us	730-5166
ORDER CODE		BMRX POWER PAC ATEX OPTION		
EX		To order the BMRX with the ATEX option, select the BMRX power pac part number and add the order code -EX to the end of the part number. For example, a 730-5096-EX would be a 115 VAC BMRX with ATEX approval.		

MAXIMA+ FAIL-SAFE POWER PACS WHEN ORDERING WITH EXTENSIONS				
MODEL	VOLTAGE	DESCRIPTION	PRICE	PART NO.
MAXIMA + AC	24/115/230 VAC	All models of the MAXIMA+ are hazardous location approved, C/US listed for Class II, Groups E, F, & G and feature a visual LED status light monitoring paddle rotation, paddle covered, and fault conditions. Complete with DPDT relay contacts, fail-safe protection, and SPDT normal and fault relay contact, and FDA recognized powder coated finish.	Call Us	730-5101
MAXIMA + 24 DC	12 to 24 VDC		Call Us	730-5167
ORDER CODE		MAXIMA+ POWER PAC ATEX OPTION		
EX		To order the MAXIMA+ with the ATEX option, select the MAXIMA+ power pac part number and add the order code -EX to the end of the part number. For example, a 730-5102-EX would be a 24 VDC MAXIMA+ with ATEX approval.		

MAXIMA+ SOLID STATE STATUS RELAY OPTIONS				
To order the MAXIMA+ solid state relay option select the MAXIMA+ power pac part number and add the options Order Code at the end of the part number. Example: A 730-0528-SSR-1 would be a MAXIMA+ with 1 Amp 250 VAC solid state relay.				
ORDER CODE	DESCRIPTION		PRICE	PART NO.
SSR-1	1 Amp 250 VAC solid state status relay option for pulse mode operation		Call Us	356-0010
SSR-2	1 Amp 60 VDC solid state status relay option for pulse mode operation		Call Us	356-0011

BMRX & MAXIMA+ STAINLESS STEEL PROCESS CONNECTION & SEAL / BEARING CARRIER				
To order the stainless steel process connection & seal/bearing carrier option select the BMRX or MAXIMA+ power pac part number and add the options Order Code at the end of the part number. Example: A 730-0504-SSPC-1 would be a BMRX 115VAC with a 1-1/4" SS process connection & seal / bearing carrier.				
ORDER CODE	DESCRIPTION		PRICE	PART NO.
SSPC-1	1-1/4" NPT Stainless steel process connection and seal / bearing carrier		Call Us	416-0547
SSPC-2	1-1/2" NPT Stainless steel process connection and seal / bearing carrier		Call Us	416-0548

Rotary Horizontal Mounted Extensions

Note: Must choose the following to build a complete unit: (see fig. 1 & 2 page 9)

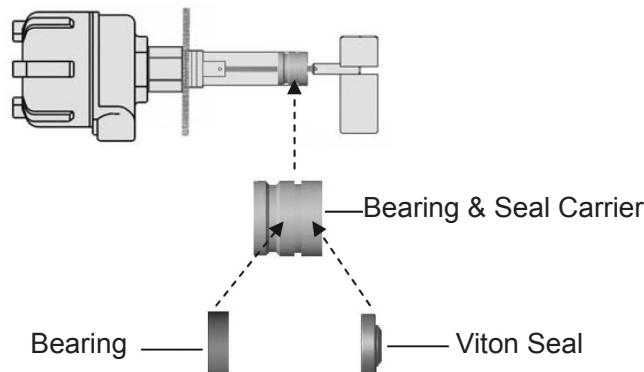
1. Select a BMRX or MAXIMA+ Rotary Power Pac (make sure you choose the model with correct voltage from page 11)
2. Select a 6", 8", 10", or 12" (152, 203, 254, or 305mm) horizontal stainless steel shaft guard with 1-1/4" or 1-1/2" process connection (includes 3/8" stainless steel drive shaft with seal/bearing carrier) below.
3. Select a paddle (see page 15)
4. Select a shaft coupler to attach paddle to drive shaft (not necessary on direct connect paddles, see page 15)
5. Select a half coupling mounting plate (optional, see page 15)
6. Select a heat tube (optional, see page 16)
7. If one of the selections are not needed, do not enter that specific code and put a zero (0) in the space
8. Units are shipped assembled

Example: A BMRX Power Pac 120 VAC with a 6" (152mm) stainless steel shaft guard/drive shaft with 1-1/4" process connection, and direct connect, folding, single-bladed insertable paddle - 730-5096 - G3 - R16 - 0 - 0 - 0
 (1) (2) (3) (4) (5) (6)

ROTARY HORIZONTAL MOUNTED SHAFT GUARD WITH EXTENDED DRIVE SHAFT AND PROCESS CONNECTION WITH SEAL & BEARING AT TUBE END			
ORDER CODE	DESCRIPTION	PRICE	PART NO.
Stainless Steel Horizontal Shaft Guard, Drive Shaft, and Process Connection			
G1	4" (101.6mm) extension length with 1" diameter schedule 40 T-304 SS external shaft guard, 3/8" diameter SS internal drive shaft, 1-1/4" NPT SS process connection, with seal and bearing at tube end	Call Us	416-0612
G2	4" (101.6mm) extension length with 1" diameter schedule 40 T-304 SS external shaft guard, 3/8" diameter SS internal drive shaft, 1-1/2" NPT SS process connection, with seal and bearing at tube end	Call Us	416-0618
G3	6" (152mm) extension length with 1" diameter schedule 40 T-304 SS external shaft guard, 3/8" diameter SS internal drive shaft, 1-1/4" NPT SS process connection, with seal and bearing at tube end	Call Us	416-0496
G4	6" (152mm) extension length with 1" diameter schedule 40 T-304 SS external shaft guard, 3/8" diameter SS internal drive shaft, 1-1/2" NPT SS process connection, with seal and bearing at tube end	Call Us	416-0497
G5	8" (203mm) extension length with 1" diameter schedule 40 T-304 SS external shaft guard, 3/8" diameter SS internal drive shaft, 1-1/4" NPT SS process connection, with seal and bearing at tube end	Call Us	416-0498
G6	8" (203mm) extension length with 1" diameter schedule 40 T-304 SS external shaft guard, 3/8" diameter SS internal drive shaft, 1-1/2" NPT SS process connection, with seal and bearing at tube end	Call Us	416-0499
G7	10" (254mm) extension length with 1" diameter schedule 40 T-304 SS external shaft guard, 3/8" diameter SS internal drive shaft, 1-1/4" NPT SS process connection, with seal and bearing at tube end	Call Us	416-0500
G8	10" (254mm) extension length with 1" diameter schedule 40 T-304 SS external shaft guard, 3/8" diameter SS internal drive shaft, 1-1/2" NPT SS process connection, with seal and bearing at tube end	Call Us	416-0501
G9	12" (305mm) extension length with 1" diameter schedule 40 T-304 SS external shaft guard, 3/8" diameter SS internal drive shaft, 1-1/4" NPT SS process connection, with seal and bearing at tube end	Call Us	416-0502
G10	12" (305mm) extension length with 1" diameter schedule 40 T-304 SS external shaft guard, 3/8" diameter SS internal drive shaft, 1-1/2" NPT SS process connection, with seal and bearing at tube end	Call Us	416-0503

Bearing and Viton Seal at Tube End

The bearing and Viton seal are used to keep the shaft centered and turning without restraint when mounting from the top of a vessel at an angle, or horizontally. It also seals the shaft guard so no material can be forced up into the pipe. The bearing and Viton seal can operate in temperatures up to 500°F (260°C).



Rotary Coupled Vertical Mounted Extensions without Seal and Bearing at Tube End

Note: Must choose the following to build a complete unit: (see fig. 3 & 4 page 9)

1. Select a BMRX or MAXIMA+ Rotary Power Pac (make sure you choose the model with correct voltage from page 11)
2. Select a vertical shaft extension in aluminum or stainless steel below
3. Select a vertical shaft guard in aluminum or stainless steel below
4. Select a paddle (see page 15)
5. Select a shaft extension coupler to connect shaft extension to BMRX or MAXIMA+ Power Pac (see page 15)
6. Select a mounting plate (optional, see page 15)
7. Select an heat tube (optional, see page 16)
8. Specify the insertion length of the shaft extension/guard from 12" to 144" (305mm to 3,657mm) and write at end of complete part number
9. If one of the selections are not needed, do not enter that specific code and put a zero (0) in the space
10. Units are shipped assembled

Example: A BMRX Power Pac 120 VAC with a 36" (914mm) aluminum pipe extension and guard with 1-1/4" process connection, and direct connect, folding, double-bladed insertable paddle, and flexible shaft coupler - 730-5096 - E3 - G11 - R17 - S3 - 0 - 0 - 36" (914mm)
 (1) (2) (3) (4) (5) (6) (7) (8)

ROTARY COUPLED VERTICAL MOUNTED SHAFT EXTENSIONS WITHOUT SEAL & BEARING AT TUBE END			
ORDER CODE	DESCRIPTION	PRICE	PART NO.
Aluminum Coupled Vertical Shaft Extension			
E3	Aluminum 1/4" diameter schedule 40 pipe with coupling to attach paddle. Must specify total insertion length from 12" to 144" (305mm to 3,657mm)	Call Us	416-0504
Stainless Steel Coupled Vertical Shaft Extension			
E2	T-304 SS 1/4" diameter schedule 40 pipe with coupling to attach paddle. Must specify total insertion length from 12" to 144" (305mm to 3,657mm)	Call Us	416-0495

ROTARY COUPLED VERTICAL MOUNTED SHAFT GUARDS WITHOUT SEAL & BEARING AT TUBE END			
ORDER CODE	DESCRIPTION	PRICE	PART NO.
Aluminum Coupled Vertical Shaft Guard			
G11	Aluminum 1" diameter schedule 40 aluminum external shaft guard, 1-1/4" NPT aluminum process connection, without seal and bearing at tube end. Must specify total insertion length from 12" to 144" (305mm to 3,657mm)	Call Us	416-0505
G12	Aluminum 1" diameter schedule 40 aluminum external shaft guard, 1-1/2" NPT aluminum process connection, without seal and bearing at tube end. Must specify total insertion length from 12" to 144" (305mm to 3,657mm)	Call Us	416-0506
Stainless Steel Coupled Vertical Shaft Guard			
G13	SS 1" diameter schedule 40 SS external shaft guard, 1-1/4" NPT SS process connection, without seal and bearing at tube end. Must specify total insertion length from 12" to 144" (305mm to 3,657mm)	Call Us	416-0507
G14	SS 1" diameter schedule 40 SS external shaft guard, 1-1/2" NPT SS process connection, without seal and bearing at tube end. Must specify total insertion length from 12" to 144" (305mm to 3,657mm)	Call Us	416-0508

ROTARY COUPLED VERTICAL MOUNT OPTIONS		
PART NO.	DESCRIPTION	PRICE
201-9028	1/4" Aluminum NPT female coupler to attach paddle to shaft extensions or shaft extensions together	Call Us
201-9029	1/4" SS NPT female coupler to attach paddle to shaft extensions or shaft extensions together	Call Us
201-9034	1" Aluminum NPT female coupler to attach shaft guards together	Call Us
201-9035	1" SS NPT female coupler to attach shaft guards together	Call Us

STOCKED LENGTHS OF COUPLED VERTICAL SHAFT EXTENSIONS AND SHAFT GUARDS										
1/4" Diameter aluminum vertical shaft extension	6" (152mm)	12" (304mm)	15" (381mm)	18" (457mm)	24" (610mm)	30" (762mm)	36" (914mm)	48" (1,219mm)	60" (1,524mm)	72" (1,829mm)
1" Diameter aluminum vertical shaft guard	6" (152mm)	12" (304mm)	15" (381mm)	18" (457mm)	24" (610mm)	30" (762mm)	36" (914mm)	48" (1,219mm)	60" (1,524mm)	72" (1,829mm)
1/4" Diameter SS vertical shaft extension	6" (152mm)	12" (304mm)	15" (381mm)	18" (457mm)	24" (610mm)	30" (762mm)	36" (914mm)	48" (1,219mm)	60" (1,524mm)	72" (1,829mm)
1" Diameter SS vertical shaft guard	6" (152mm)	12" (304mm)	15" (381mm)	18" (457mm)	24" (610mm)	30" (762mm)	36" (914mm)	48" (1,219mm)	60" (1,524mm)	72" (1,829mm)

- Note:**
1. Allow two weeks for custom length shaft extensions and guards.
 2. Maximum available single piece length is 72".
 3. Extension / guard lengths greater than 72" must be ordered in multiple sections to reach the desired length.
 4. When joining multiple pipe guards, use either 299-9010 galvanized coupling or 299-9035 SS coupling.

Rotary Coupled Vertical Mounted Extensions with Seal and Bearing at Tube End

Note: Must choose the following to build a complete unit: (see fig. 5 & 6 page 9)

1. Select a BMRX or MAXIMA+ Rotary Power Pac (make sure you choose the model with correct voltage from page 11)
2. Select a vertical shaft guard with internal drive shaft and process connection in aluminum or stainless steel below
3. Select a paddle (see page 15)
4. Select a shaft coupler to attach paddle to drive shaft (not necessary on direct connect paddles, see page 15)
5. Select a mounting plate (optional, see page 15)
6. Select a heat tube (optional, see page 16)
7. Specify the total insertion length of the shaft extension/guard from 15" to 72" (381mm to 1,829mm) and write at end of complete part number
8. If one of the selections are not needed, do not enter that specific code and put a zero (0) in the space
9. Units are shipped assembled

Example: A BMRX Power Pac 120 VAC with a 30" (762mm) aluminum shaft guard / SS drive shaft / 1-1/4" stainless steel process connection, direct connect, folding, double-bladed insertable paddle, and half-coupling mounting plate - 730-5096 - G15 - R17 - 0 - H1 - 0 - 30" (762mm)
 1) (2) (3) (4) (5) (6) (7)

ROTARY COUPLED VERTICAL MOUNTED SHAFT GUARD WITH EXTENDED DRIVE SHAFT AND SEAL & BEARING AT TUBE END			
ORDER CODE	DESCRIPTION	PRICE	PART NO.
Aluminum Coupled Vertical Shaft Guard with Extended Drive Shaft			
G15	Aluminum with 1" diameter schedule 40 aluminum external shaft guard, 3/8" diameter SS internal drive shaft, 1-1/4" NPT aluminum process connection, with seal and bearing at tube end. Must specify total insertion length from 15" to 72" (381mm to 1,829mm)	Call Us	416-0509
G16	Aluminum with 1" diameter schedule 40 aluminum external shaft guard, 3/8" diameter SS internal drive shaft, 1-1/2" NPT aluminum process connection, with seal and bearing at tube end. Must specify total insertion length from 15" to 72" (381mm to 1,829mm)	Call Us	416-0510
Stainless Steel Coupled Vertical Shaft Guard with Extended Drive Shaft			
G17	T-304 SS with 1" diameter schedule 40 SS external shaft guard, 3/8" diameter SS internal drive shaft, 1-1/4" NPT T-304 SS process connection, with seal and bearing at tube end. Must specify total insertion length from 15" to 72" (381mm to 1,829mm)	Call Us	416-0511
G18	T-304 SS with 1" diameter schedule 40 SS external shaft guard, 3/8" diameter SS internal drive shaft, 1-1/2" NPT T-304 SS process connection, with seal and bearing at tube end. Must specify total insertion length from 15" to 72" (381mm to 1,829mm)	Call Us	416-0512

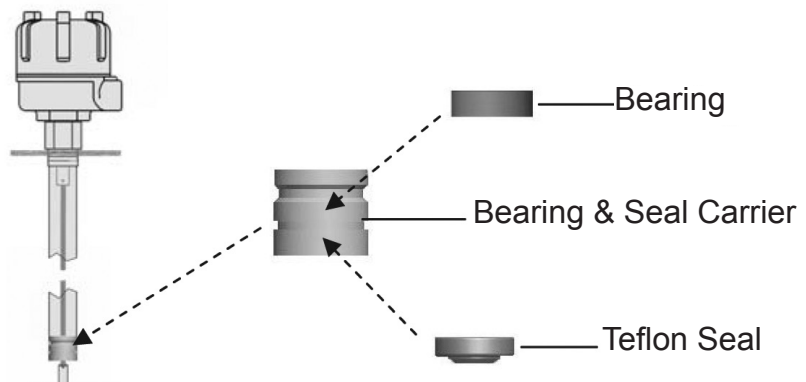
STOCKED LENGTHS OF COUPLED VERTICAL MOUNTED SHAFT GUARDS WITH INTERNAL DRIVE SHAFT								
1" Diameter aluminum vertical shaft guard with 3/8" diameter SS drive shaft	15" (381mm)	18" (457mm)	24" (610mm)	30" (762mm)	36" (914mm)	48" (1,219mm)	60" (1,524mm)	72" (1,829mm)
1" Diameter SS vertical shaft guard with 3/8" diameter SS drive shaft	15" (381mm)	18" (457mm)	24" (610mm)	30" (762mm)	36" (914mm)	48" (1,219mm)	60" (1,524mm)	72" (1,829mm)

Note:

1. Allow two weeks for custom length shaft extensions and guards
2. Maximum available single piece length is 72" (1,829 mm)

Bearing and Teflon Seal at Tube End

The bearing and Teflon seal are used to keep the shaft centered and turning without restraint when mounting from the top of a vessel at an angle, or horizontally. It also seals the shaft guard so no material can be forced up into the pipe. The bearing and Teflon seal can operate in temperatures up to 500°F (260°C).



SHAFT COUPLERS				
ORDER CODE	MODEL	DESCRIPTION	PRICE	PART NO.
S1	GRSS-1	Solid shaft stainless steel side mount coupler	Call Us	299-0004
S2	GRFC-1	Flexible stainless steel top mount coupler	Call Us	416-0155
S3	GRFS-1	Molded neoprene flexible shaft stainless steel top mount coupler	Call Us	416-0283

SIDE MOUNTING PLATES				
ORDER CODE	MODEL	DESCRIPTION	PRICE	PART NO.
H1	GRMP-1	0° Mild carbon steel half coupling with black neoprene gasket	Call Us	730-0020
H2	GRMP-3	0° Stainless steel half coupling with black neoprene gasket	Call Us	730-0021

TOP MOUNTING PLATES				
ORDER CODE	MODEL	DESCRIPTION	PRICE	PART NO.
F1	GRMP-2	0° Mild carbon steel full coupling, powder coated with black neoprene gasket	Call Us	730-0022
F2	GRMP-4	0° Stainless steel full coupling with black neoprene gasket	Call Us	730-0023
F4	GRMP-9	10° Mild carbon steel full coupling, powder coated with black neoprene gasket	Call Us	730-0489
F6	GRMP-16	20° Mild carbon steel full coupling, powder coated with black neoprene gasket	Call Us	730-0663
F5	GRMP-13	30° Mild carbon steel full coupling, powder coated with black neoprene gasket	Call Us	730-0508

PADDLES				
ORDERING CODE	MODEL	DESCRIPTION	PRICE	PART NO.
R1	GRP-11	High strength nylon paddle for lightweight materials, triple-bladed paddle turns in a 7" diameter, blades are 2" wide	Call Us	299-0009
R2	GRP-12	High strength nylon paddle for average weight materials, triple-bladed paddle turns in a 5" diameter	Call Us	299-0010
R3	GRP-1	For lightweight materials, triple-bladed, stainless steel paddle turns in a 7" diameter, paddle blades are 2" wide	Call Us	416-0161
R4	GRP-2	For average weight materials, triple-bladed, stainless steel paddle turns in a 5" diameter, paddle blades are 1-1/2" wide	Call Us	416-0152
R5	GRP-3	For average to heavy materials, single-blade, stainless steel paddle is 2-1/2" long and turns in a 5" diameter, insertable paddle blade is 1/8" thick and 1" wide	Call Us	416-0153
R6	GRP-22	For average to heavy materials, triple-bladed, stainless steel paddle turns in a 5" diameter, paddle blades are 1" wide and 1/8" thick	Call Us	416-0160
R7	GRP-23	For high level control in light and medium materials and low level control in light materials, single bayonet blade, stainless steel paddle, insertable paddle blade is 1" wide and 1/8" thick	Call Us	416-0154
R8	GRP-24	12" Belt paddle for high level control in heavy materials with large particle size	Call Us	416-0259
R9	GRP-25	For very light materials, triple-bladed, stainless steel paddle turns in a 5" diameter, paddle blades are 5" tall and 1/16" thick	Call Us	416-0261
R10	GRP-26	Direct connect version of GRP-1 (eliminates need for GRSS-1 coupler)	Call Us	416-0265
R11	GRP-27	Direct connect version of GRP-23 (eliminates need for GRSS-1 coupler)	Call Us	416-0266
R12	GRP-28	For extremely light materials, triple-blade, stainless steel paddle turns in a 7" diameter, paddle blades are 5" tall and 1/16" thick	Call Us	416-0336
R13	GRP-29	Direct connect version of GRP-25 (eliminates need for GRSS-1 coupler)	Call Us	416-0430
R14	GRP-30	Direct connect version of GRP-2 (eliminates need for GRSS-1 coupler)	Call Us	416-0100
R15	GRP-31	For medium to heavy materials, single-blade, stainless steel paddle is 3.25" long and turns in a 6.5" diameter, paddle blade is 1.63" wide and 1/8" thick	Call Us	416-0487
R16	GRP-34	Direct connect, folding, single-bladed, insertable paddle for medium materials, will fold to insert through a 1-1/4" or 1-1/2" process connection, turns in a 7.5" diameter, paddle blade is 1-1/2" wide	Call Us	416-0513
R17	GRP-35	Direct connect, folding, double-bladed, insertable paddle for light to medium materials, will fold to insert through a 1-1/4" or 1-1/2" process connection, turns in a 7.5" diameter, paddle blades are 1-1/2" wide	Call Us	416-0514
R18	GRP-36	Threaded, folding, single-bladed, insertable paddle for medium materials, will fold to insert through a 1-1/4" or 1-1/2" process connection, turns in a 7.5" diameter, paddle blade is 1-1/2" wide, for use with standard threaded coupler	Call Us	416-0556
R19	GRP-37	Threaded, folding, double-bladed, insertable paddle for light to medium materials, will fold to insert through a 1-1/4" or 1-1/2" process connection, turns in a 7.5" diameter, paddle blades are 1-1/2" wide, for use with standard threaded coupler	Call Us	416-0557

ROTARY HEAT TUBE OPTIONS*

ORDER CODE	DESCRIPTION	PRICE	PART NO.
Optional Heat Tubes			
T1	6" (152mm) Aluminum heat tube with 1-1/4" NPT SS process connection	Call Us	416-0614
T2	6" (152mm) Aluminum heat tube with 1-1/2" NPT SS process connection	Call Us	416-0616
T3	6" (152mm) Stainless steel heat tube with 1-1/4" NPT SS process connection	Call Us	416-0613
T4	6" (152mm) Stainless steel heat tube with 1-1/2" NPT SS process connection	Call Us	416-0617
T5	8" (203mm) Aluminum heat tube with 1-1/4" NPT SS process connection	Call Us	416-0515
T6	8" (203mm) Aluminum heat tube with 1-1/2" NPT SS process connection	Call Us	416-0516
T7	8" (203mm) Stainless steel heat tube with 1-1/4" NPT SS process connection	Call Us	416-0517
T8	8" (203mm) Stainless steel heat tube with 1-1/2" NPT SS process connection	Call Us	416-0518
T9	12" (305mm) Aluminum heat tube with 1-1/4" NPT SS process connection	Call Us	416-0519
T10	12" (305mm) Aluminum heat tube with 1-1/2" NPT SS process connection	Call Us	416-0520
T11	12" (305mm) Stainless steel heat tube with 1-1/4" NPT SS process connection	Call Us	416-0521
T12	12" (305mm) Stainless steel heat tube with 1-1/2" NPT SS process connection	Call Us	416-0522

* Heat tube units must have a pipe extension. The maximum internal temperature for a rotary with a heat tube is 400°F.

MINI-ROTARY COMPLETE UNITS

MODEL	VOLTAGE	DESCRIPTION	PRICE	PART NO.
MR-G 110	110 VAC	Mini-Rotary with 4-vane, polycarbonate paddle, complete with SPDT contacts, 110 VAC	Call Us	730-0350
MR-G 220	220 VAC	Mini-Rotary with 4-vane, polycarbonate paddle, complete with SPDT contacts, 220 VAC	Call Us	730-0352
MR-G 24	24 VAC	Mini-Rotary with 4-vane, polycarbonate paddle, complete with SPDT contacts, 24 VAC	Call Us	730-0392
MR-H 110	110 VAC	Mini-Rotary with insertable bayonet polycarbonate paddle, complete with SPDT contacts, 110 VAC	Call Us	730-0351
MR-H 220	220 VAC	Mini-Rotary with insertable bayonet polycarbonate paddle, complete with SPDT contacts, 220 VAC	Call Us	730-0353
MR-I 110	110 VAC	Mini-Rotary with single-vane, stainless steel rectangular paddle, complete with SPDT contacts, 110 VAC	Call Us	730-0354
MR-I 220	220 VAC	Mini-Rotary with single-vane, stainless steel rectangular paddle, complete with SPDT contacts, 220 VAC	Call Us	730-0355

MINI-ROTARY PADDLES & ACCESSORIES

MODEL	DESCRIPTION	PRICE	PART NO.
G	Mini-Rotary 4-vane, polycarbonate paddle turns in an 3.2" diameter, paddle blades are 1.25" wide	Call Us	299-0619
H	Mini-Rotary insertable bayonet polycarbonate paddle, turns in a 5" diameter	Call Us	299-0620
I	Mini-Rotary single-vane, stainless steel rectangular paddle turns in a 4" diameter, paddle blades are 1.2" wide	Call Us	299-0624

Example of mounting Mini-Rotary
on an injection molding machine

