



Model Number

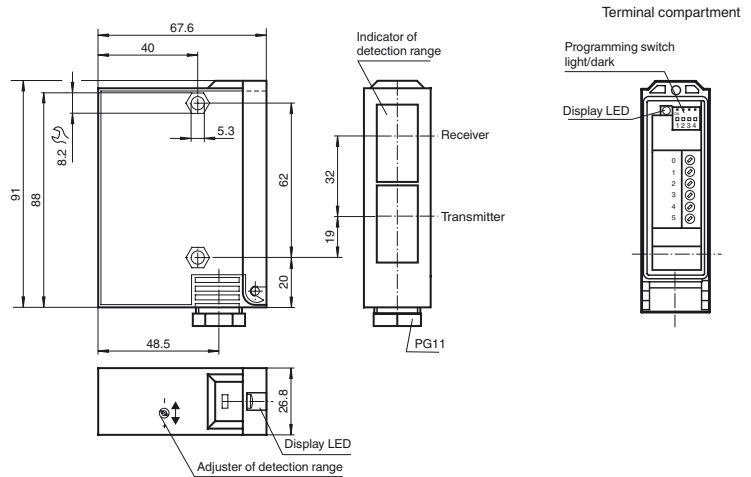
RLK23-8-H-500-RT/31/116

Background suppression sensor
with terminal compartment

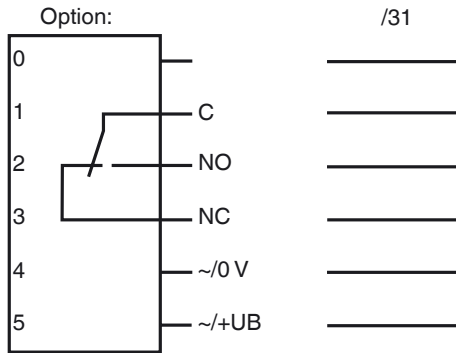
Features

- Adjustable background suppression
- Visible red light
- Sturdy plastic housing
- Optical surface made of scratch-resistant glass

Dimensions



Electrical connection



Release date: 2017-10-20 10:10 Date of issue: 2017-10-20 419484_eng.xml

Refer to "General Notes Relating to Pepperl+Fuchs Product Information".

Pepperl+Fuchs Group
www.pepperl-fuchs.com

USA: +1 330 486 0001
fa-info@us.pepperl-fuchs.com

Germany: +49 621 776 4411
fa-info@de.pepperl-fuchs.com

Singapore: +65 6779 9091
fa-info@sg.pepperl-fuchs.com

Technical data**General specifications**

Detection range	50 ... 500 mm
Detection range min.	50 ... 150 mm
Detection range max.	50 ... 500 mm
Light source	LED
Light type	modulated visible red light
Black/White difference (6%/90%)	< 5 %
Diameter of the light spot	12 mm at 500 mm sensor range
Angle of divergence	1.5 °
Ambient light limit	12000 Lux

Functional safety related parameters

MTTF _d	850 a
Mission Time (T _M)	20 a
Diagnostic Coverage (DC)	0 %

Indicators/operating means

Function indicator	LED yellow, lights up with receiver lit
Control elements	Programming switch for light/dark switching
Control elements	Sensing range adjuster

Electrical specifications

Operating voltage	U _B	12 ... 240 V AC/DC (automatic adaption to +UB)
Power consumption	P ₀	3 VA

Output

Switching type	light/dark on switchable	
Signal output	1 relay, 1 alternator	
Switching voltage	max. 240 V AC	
Switching current	max. 2 A	
Switching frequency	f	10 Hz
Response time	50 ms	

Ambient conditions

Ambient temperature	-20 ... 60 °C (-4 ... 140 °F)
Storage temperature	-20 ... 75 °C (-4 ... 167 °F)

Mechanical specifications

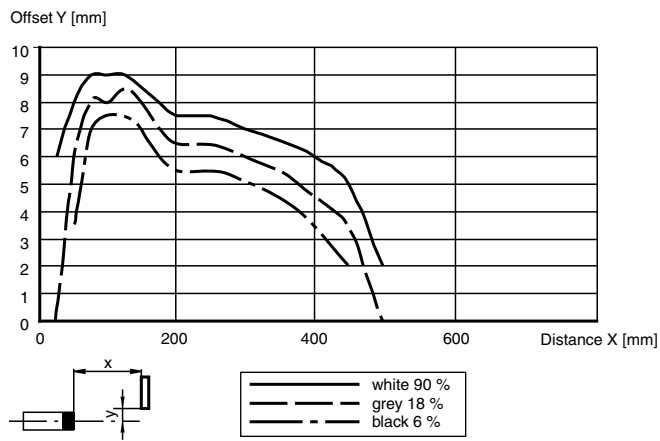
Housing width	26.8 mm
Housing height	91 mm
Housing depth	67.6 mm
Degree of protection	IP65
Connection	terminal compartment
Material	
Housing	Terluran® GV15
Optical face	glass
Mass	180 g

Compliance with standards and directives

Standard conformity	
Product standard	EN 60947-5-2:2007 IEC 60947-5-2:2007

Approvals and certificates

EAC conformity	TR CU 020/2011 TR CU 004/2011
UL approval	cULus
CCC approval	Certified by China Compulsory Certification (CCC)

Curves/Diagrams**Characteristic response curve****Accessories****OMH-05**

Mounting aid for round steel ø 12 mm or sheet 1.5 mm ... 3 mm

OMH-07

Mounting aid for round steel ø 12 mm or sheet 1.5 mm ... 3 mm

OMH-21

Mounting bracket

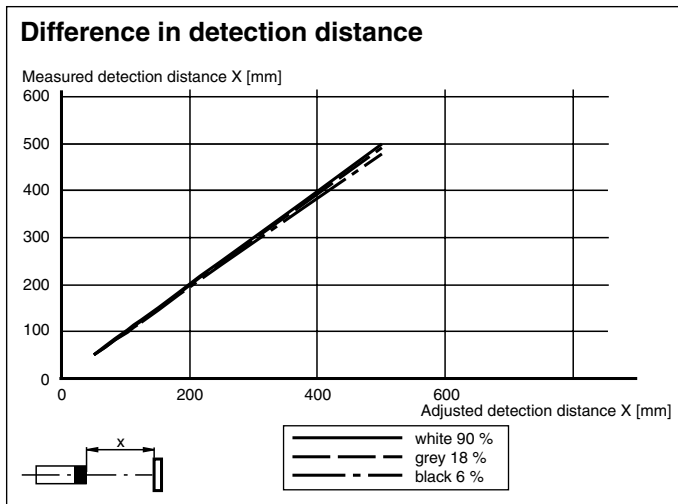
OMH-22

Mounting bracket

OMH-RLK29-HW

Mounting bracket for rear wall mounting

Other suitable accessories can be found at www.pepperl-fuchs.com



Light/Dark switch

ON	Dark on
ON	Light on

Release date: 2017-10-20 10:10 Date of issue: 2017-10-20 419484_eng.xml

Refer to "General Notes Relating to Pepperl+Fuchs Product Information".

Pepperl+Fuchs Group
www.pepperl-fuchs.com

USA: +1 330 486 0001
fa-info@us.pepperl-fuchs.com

Germany: +49 621 776 4411
fa-info@de.pepperl-fuchs.com

Singapore: +65 6779 9091
fa-info@sg.pepperl-fuchs.com