

SAK Series
SAKT 1/LT
Weidmüller Interface GmbH & Co. KG

Klingenbergstraße 16

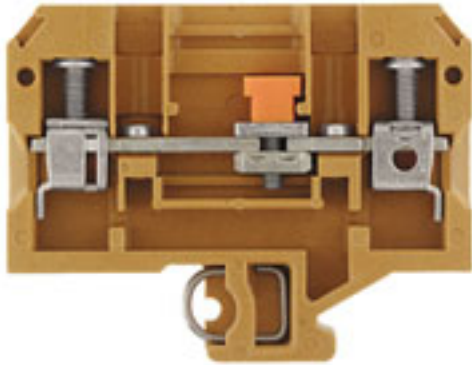
D-32758 Detmold

Germany

Fon: +49 5231 14-0

Fax: +49 5231 14-292083

www.weidmueller.com


Klippon® Connect with clamping yoke Technology

The high reliability and variety of designs of the terminal blocks with clamping yoke connections make planning easier and optimises operational safety. Klippon® Connect provides a proven response to a range of different requirements.

General ordering data

Available until	2020-12-31
Type	SAKT 1/LT
Order No.	0269120000
Version	SAK Series, Test-disconnect terminal, Rated cross-section: 6 mm ² , Screw connection, Medium Yellow, Direct mounting
GTIN (EAN)	4008190185978
Qty.	50 pc(s).
Alternative product	1016700000

SAK Series
SAKT 1/LT

Weidmüller Interface GmbH & Co. KG
 Klingenbergstraße 16
 D-32758 Detmold
 Germany
 Fon: +49 5231 14-0
 Fax: +49 5231 14-292083
 www.weidmueller.com

Technical data**Dimensions and weights**

Width	8 mm	Width (inches)	0.315 inch
Height	65 mm	Height (inches)	2.559 inch
Depth	52.5 mm	Depth (inches)	2.067 inch
Net weight	25.4 g		

Temperatures

Continuous operating temp., min.	-60 °C	Continuous operating temp., max.	130 °C
----------------------------------	--------	----------------------------------	--------

Material data

Material	KrG	Colour	Medium Yellow
UL 94 flammability rating	V-0, 5VA		

System specifications

Version	Screw connection, Special terminal longitudinal isolator, One end without connector	Tightening torque (clamping screw for copper conductors)	0.8...1.6 Nm
End cover plate required	Yes	Number of potentials	1
Number of levels	1	No. of clamping points per level	2
Number of potentials per tier	1	Levels cross-connected internally	No
PE connection	No	Mounting rail	TS 32
N-function	No	PE function	No
PEN function	No		

Additional technical data

Explosion-tested version	No	Installation advice	Direct mounting
Number of similar terminals	1	Open sides	right
Type of mounting	Snap-on		

CSA rating data

Certificate No. (CSA)	12400-198	Current size C (CSA)	25 A
Voltage size C (CSA)	300 V	Wire cross section max. (CSA)	8 AWG
Wire cross section min. (CSA)	26 AWG		

SAK Series
SAKT 1/LT

Weidmüller Interface GmbH & Co. KG
 Klingenbergstraße 16
 D-32758 Detmold
 Germany
 Fon: +49 5231 14-0
 Fax: +49 5231 14-292083
 www.weidmueller.com

Technical data**Conductors for clamping (rated connection)**

Blade size	4.0 x 0.8 mm	Clamping range, rated connection, max.	10 mm ²
Clamping range, rated connection, min.	0.13 mm ²	Clamping screw	M 3.5
Connection direction	on side	Gauge to IEC 60947-1	A5
Number of connections	2	Stripping length	12 mm
Tightening torque, max.	1.6 Nm	Tightening torque, min.	0.8 Nm
Torque level with DMS electric screwdriver	3	Type of connection	Screw connection
Wire connection cross section AWG, max.	AWG 8	Wire connection cross section AWG, min.	AWG 26
Wire connection cross section, finely stranded with wire-end ferrules DIN 46228/1, rated connection, max.	6 mm ²	Wire connection cross section, finely stranded with wire-end ferrules DIN 46228/1, rated connection, min.	0.5 mm ²
Wire connection cross section, finely stranded, max.	6 mm ²	Wire connection cross section, solid core max. rated connection	10 mm ²
Wire connection cross section, solid core, min. rated connection	0.5 mm ²	Wire connection cross section, stranded, rated connection, max.	10 mm ²
Wire connection cross section, stranded, rated connection, min.	1.5 mm ²	Wire connection cross-section, finely stranded, min.	0.5 mm ²

Disconnect terminals

Cross-disconnect	without	Integral test socket	No
Slitting	sliding		

Rating data

Rated cross-section	6 mm ²	Rated voltage	400 V
Rated current	41 A	Current at maximum wires	57 A
Standards	IEC 60947-7-1	Volume resistance according to IEC 60947-7-x	0.78 mΩ
Rated impulse withstand voltage	6 kV	Pollution severity	3

UL rating data

Certificate No. (UR)	E60693	Conductor size Factory wiring max. (UR)	8 AWG
Conductor size Factory wiring min. (UR)	26 AWG	Conductor size Field wiring max. (UR)	8 AWG
Conductor size Field wiring min. (UR)	22 AWG	Current size C (UR)	25 A
Voltage size C (UR)	300 V		

Classifications

ETIM 3.0	EC000902	ETIM 4.0	EC000902
ETIM 5.0	EC000902	ETIM 6.0	EC000902
UNSPSC	30-21-18-11	eClass 5.1	27-14-11-26
eClass 6.2	27-14-11-26	eClass 7.1	27-14-11-26
eClass 8.1	27-14-11-26	eClass 9.0	27-14-11-26
eClass 9.1	27-14-11-26		

Product information

Descriptive text technical data	10 mm ² stranded and AWG 8/7 connections are to be fixed with 1.6 Nm tightening torque.
Descriptive text accessories	To safe the test sockets use the SDIZ-blade (see chapter Tools) or bits with pilots!

Data sheet**SAK Series
SAKT 1/LT**

Weidmüller Interface GmbH & Co. KG
Klingenbergstraße 16
D-32758 Detmold
Germany
Fon: +49 5231 14-0
Fax: +49 5231 14-292083
www.weidmueller.com

Technical data**Approvals**

Approvals



ROHS

Conform

DownloadsApproval/Certificate/Document of
Conformity[DE_PT1344_20160418_620_ISSUE01.pdf](#)

Engineering Data

[EPLAN.WSCAD](#)**Safety note**

Safety notice

[Safety Information](#)