

Klippon K KLIPPON K1

Weidmüller Interface GmbH & Co. KG
 Klingenbergstraße 16
 D-32758 Detmold
 Germany
 Fon: +49 5231 14-0
 Fax: +49 5231 14-292083
 www.weidmueller.com



The Klippon® brand has long stood for competence and quality in housings – particularly when turnkey, customer-specific solutions for standard industrial applications and applications in explosive risk zones are concerned.

Improved products that meet all application requirements: this was Weidmüller's aim when modernising and upgrading the Klippon® K enclosure series. No matter what kind of application the customer is planning; Weidmüller is able to provide a wide range of aluminium enclosures precisely fitting the customer's requirements.

- Available in two surface finishes: natural and powder-coated (RAL 7001)
- Available with moulded silicone or chloroprene gasket as standard
- Uniform Torx slotted screw head for 19 enclosure sizes
- Mounting holes outside of the gasket area
- High IP protection classes: IP66, IP67 and IP68
- Impact resistance of up to 7 (10) Joules
- The enclosures are approved according ATEX, IECEx, GOST Ex, GOST, cULus, Russian Maritime Register and Germanischer Lloyd as well as the empty enclosure standard.
- Alloy is resistant to salt water
- Standardised distributor enclosures with threaded holes and a variety of terminal configurations

General ordering data

Type	KLIPPON K1
Order No.	0342000000
Version	Klippon K, Empty enclosure, Aluminium enclosure, Height: 70 mm, Width: 70 mm, Depth: 45 mm, Material: Aluminium AISi12, untreated, Silver
GTIN (EAN)	4008190055448
Qty.	10 pc(s).

Klippon K KLIPPON K1

Weidmüller Interface GmbH & Co. KG
 Klingenbergstraße 16
 D-32758 Detmold
 Germany
 Fon: +49 5231 14-0
 Fax: +49 5231 14-292083
 www.weidmueller.com

Technical data

Dimensions and weights

Width	70 mm	Width (inches)	2.756 inch
Height	70 mm	Height (inches)	2.756 inch
Depth	45 mm	Depth (inches)	1.772 inch
Mounting dimension - width	58 mm	Mounting dimension - height	42 mm
Weight	220 g	Net weight	247.5 g

Cable glands, left

M12	1	M16	1
-----	---	-----	---

Cable glands, right

M12	1	M16	1
Side of enclosure	left, right		

Cable glands, top/bottom

M12	2	M16	2
M20	1	Side of enclosure	left, right

Certificate numbers enclosure

Certificate no., assembled enclosure (EAC)	RU C-DE.ГБ08.В.01328	Certificate no., empty enclosure (EAC)	RU C-DE.ГБ08.В.00472
Certificate No. (GERMLLOYD)	44536-07	Certificate No. (MARITREG)	14.40040.250
Certificate no. (cULus)	E197061		

General information

Areas of use	Process industry, Transportation, Marine engineering, Packaging industry, Harbour facilities, Machine construction	Material thickness	3.5 mm
Material thickness of cover	3 mm	Material thickness of enclosure	3.5 mm
Material	Aluminium AlSi12	Seal material	Neoprene
Surface finish	untreated	Operating temperature, min.	-40 °C
Operating temperature, max.	85 °C	Impact resistance	10.00 J
Protection degree	IP66, IP67, IP68, NEMA 4, NEMA 4x	Note: protection class	IP68 (t=72h, h=1m)
Enclosure attachment	Holes 4 mm	Lid attachment	M4 torx stainless steel screws with slot
Integral fixing	Threaded holes M4		

horizontal assembly

WDU 2,5 / ZDU 2,5 / IDU 2,5	1x5	WDU 4 / ZDU 4	1x1*
-----------------------------	-----	---------------	------

vertical assembly

WDU 2,5 / ZDU 2,5 / IDU 2,5	1x1*	WDU 4 / ZDU 4	1x1*
-----------------------------	------	---------------	------

Klippon K
KLIPPON K1

Weidmüller Interface GmbH & Co. KG
 Klingenbergstraße 16
 D-32758 Detmold
 Germany
 Fon: +49 5231 14-0
 Fax: +49 5231 14-292083
 www.weidmueller.com

Technical data**Classifications**

ETIM 3.0	EC000058	ETIM 4.0	EC000058
ETIM 5.0	EC000058	ETIM 6.0	EC000261
UNSPSC	31-26-15-02	eClass 5.1	27-14-91-07
eClass 6.2	27-14-91-07	eClass 7.1	27-14-91-07
eClass 8.1	27-14-91-07	eClass 9.0	27-14-44-30
eClass 9.1	27-18-92-90		

Product information

Descriptive text ordering data	The colours of painted enclosures may vary under certain circumstances.
Descriptive text technical data	*Please refer to the Terminal Block Catalogue or the SAK Series for more information about populating the enclosures with terminal blocks. For vertical installations, we recommend using not more than one BK 4 or BK 4 CRN (0625 120000). For horizontal installations with 2.5mm ² 1x5 AKZ terminal blocks (only possible on a TS 15) for 4mm ² , use not more than one BK 4. There are no pre-defined mounting points set within this enclosure for installing internal equipment in a vertical position.
Descriptive text accessories	The accessory sets contain the necessary mounting materials. Helicoil for outdoor applications, available ex-works.

Approvals

Approvals



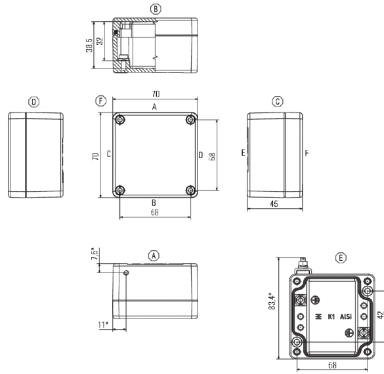
ROHS Conform

Downloads

Approval/Certificate/Document of Conformity	EU Declaration of Conformity
Brochure/Catalogue	MB KLIPPON ENCL.TECN EN CAT 5 ENCL 17/18 EN FL RAILWAY 2014 EN
Engineering Data	EPLAN.WSCAD
User Documentation	MB KLIPPON ENCL.TECN DE Assembly guidelines - empty enclosures

**Klippon K
KLIPPON K1**

Weidmüller Interface GmbH & Co. KG
Klingenbergstraße 16
D-32758 Detmold
Germany
Fon: +49 5231 14-0
Fax: +49 5231 14-292083
www.weidmueller.com

Drawings**Dimensioned drawing**

XX" nur für 6E28940000