

## HDC insert HDC HQ 7 MC

**Weidmüller Interface GmbH & Co. KG**  
 Klingenbergstraße 16  
 D-32758 Detmold  
 Germany  
 Fon: +49 5231 14-0  
 Fax: +49 5231 14-292083  
 www.weidmueller.com



The HQ series - big features in a compact design The electrical values speak for themselves. The standard HE crimp contacts can also be used here. The wire connection level is designed as a crimp contact. The established crimp connection has been used as a standard for decades. Crimp contacts are not delivered with the inserts. Pole count: **7 (+PE)**  
 Rated current: **10 A**  
 Rated voltage: **400 V**  
 Nominal voltage acc. to UL/CSA: **600 V AC/DC**  
 Crimp connection

### General ordering data

Type	HDC HQ 7 MC
Order No.	<a href="#">1003190000</a>
Version	HDC insert, Male, 400 V, 10 A, No. of poles: 7, Crimp connection, Size: 1
GTIN (EAN)	4032248698189
Qty.	1 pc(s).

## HDC insert HDC HQ 7 MC

**Weidmüller Interface GmbH & Co. KG**  
 Klingenbergstraße 16  
 D-32758 Detmold  
 Germany  
 Fon: +49 5231 14-0  
 Fax: +49 5231 14-292083  
 www.weidmueller.com

## Technical data

### Dimensions and weights

Length	21 mm	Length (inches)	0.827 inch
Width	21 mm	Width (inches)	0.827 inch
Height	39.5 mm	Height (inches)	1.555 inch
Net weight	16 g		

### Temperatures

Limit temperature	-40 °C ... 125 °C
-------------------	-------------------

### Dimensions

Height of plug	39.5 mm	Total length base	21 mm
----------------	---------	-------------------	-------

### General data

Insulating material	PC glass-fibre reinforced (UL-listed and railway-certified)	Insulating material group	IIIa
Insulation resistance	$10^{10} \Omega$	Material	Copper alloy
No. of poles	7	Plugging cycles, gold	$\geq 500$
Plugging cycles, silver	$\geq 500$	Pollution severity	3
Rated current (DIN EN 61984)	10 A	Rated impulse voltage (DIN EN 61984)	6 kV
Rated voltage (DIN EN 61984)	400 V	Rated voltage according to UL/CSA	600 V AC/DC
Series	HQ	Size	1
Surface finish	Silver passivated, gold	Type	Male
UL 94 flammability rating	V-0	Volume resistance	$\leq 4m\Omega$

### Connection data PE

Blade size, slotted (PE connection)	SD 0.6 x 3.5	Connection type PE	Screw connection
Cross-section for connected conductor, finely stranded with wire-end ferrules and plastic collars DIN 46228/4, rated connection, min.	0.14 mm <sup>2</sup>	Fixing screw	M 3
Rated cross-section	2.5 mm <sup>2</sup>	Stripping length PE connection	5 mm
Tightening torque, max. PE connection	0.55 Nm	Tightening torque, min. PE connection	0.5 Nm
Wire connection cross section, finely stranded, max.	2.5 mm <sup>2</sup>	Wire connection cross-section, finely stranded with wire-end ferrules and plastic collars DIN 46228/4, rated connection, max.	2.5 mm <sup>2</sup>
Wire connection cross-section, finely stranded, min.	0.14 mm <sup>2</sup>	Wire cross section, AWG (PE), max.	AWG 14
Wire cross section, AWG (PE), min.	AWG 26		

**HDC insert  
HDC HQ 7 MC**

**Weidmüller Interface GmbH & Co. KG**  
 Klingenbergstraße 16  
 D-32758 Detmold  
 Germany  
 Fon: +49 5231 14-0  
 Fax: +49 5231 14-292083  
 www.weidmueller.com

**Technical data**

**Version**

Conductor cross-section, max.	2.5 mm <sup>2</sup>	Conductor cross-section, min.	0.14 mm <sup>2</sup>
Cross-section for connected conductor, finely stranded with wire-end ferrules and plastic collars DIN 46228/4, rated connection, min.	0.14 mm <sup>2</sup>	Material	Copper alloy
Size	1	Stripping length, rated connection	8 mm
Surface finish	Silver passivated, gold	Type of connection	Crimp connection
Volume resistance	≤ 4mΩ	Wire connection cross section AWG, max.	AWG 14
Wire connection cross section AWG, min.	AWG 26	Wire connection cross section, finely stranded, max.	2.5 mm <sup>2</sup>
Wire connection cross-section, finely stranded with wire-end ferrules and plastic collars DIN 46228/4, rated connection, max.	2.5 mm <sup>2</sup>	Wire connection cross-section, finely stranded, min.	0.14 mm <sup>2</sup>

**Classifications**

ETIM 3.0	EC001121	ETIM 4.0	EC001121
ETIM 5.0	EC001121	ETIM 6.0	EC000438
UNSPSC	30-21-18-01	eClass 5.1	27-14-34-19
eClass 6.2	27-14-34-19	eClass 7.1	27-44-02-05
eClass 8.1	27-44-02-05	eClass 9.0	27-44-02-05
eClass 9.1	27-44-02-05		

**Product information**

Descriptive text technical data	Earth with same conductor cross-sections as crimp connections via plug and socket contact.
Descriptive text accessories	Accessories, see chapter J - Tools, see chapter K

**Approvals**

Approvals



ROHS	Conform
------	---------

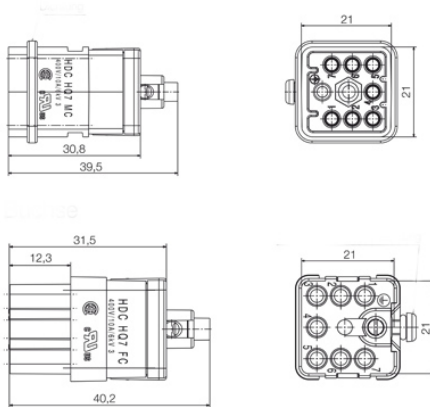
**Downloads**

Brochure/Catalogue	<a href="#">CAT 3 HDC 17/18 EN</a> <a href="#">FL FIELDWIRING EN</a>
Engineering Data	<a href="#">EPLAN, WSCAD</a>

**HDC insert  
HDC HQ 7 MC**

**Weidmüller Interface GmbH & Co. KG**  
Klingenbergstraße 16  
D-32758 Detmold  
Germany  
Fon: +49 5231 14-0  
Fax: +49 5231 14-292083  
[www.weidmueller.com](http://www.weidmueller.com)

**Drawings**



# Tightening torques and screwing tools

Screw size	Connector type	Dia. tightening torque in Nm	Recommended blade inserts and AF size for hexagon socket
<b>M 2.5</b>	<b>Signal contacts</b>		
	S 6/6	0.5 - 0.55	SD 0.6 x 3.5 mm or PZ0
	S 6/12	0.5 - 0.55	SD 0.6 x 3.5 mm or PZ0
<b>M 2.9 x 0.5</b>	<b>Fastening screws</b>		
	HQ 4/2	0.8 (plastic) / 1.1 (metal)	SD 0.6 x 3.5 mm or PH0
	HQ 8	0.8 (plastic) / 1.1 (metal)	SD 0.6 x 3.5 mm or PH0
	HQ 17	0.8 (plastic) / 1.1 (metal)	SD 0.6 x 3.5 mm or PH0
<b>M 3</b>	<b>Contact screws</b>		
	HA 3	0.5 - 0.55	SD 0.5 x 3.0 mm
	HA 4	0.5 - 0.55	SD 0.5 x 3.0 mm
	HA 10 bis HA 48	0.5 - 0.55	SD 0.6 x 3.5 mm or PH0
	HE	0.5 - 0.55	SD 0.6 x 3.5 mm or PZ0
	HVE	0.5 - 0.55	SD 0.6 x 3.5 mm or PZ0
	<b>Signal contacts:</b>		
	S 4/2	0.5 - 0.55	SD 0.6 x 3.5 mm or PZ0
	S 4/8	0.5 - 0.55	SD 0.6 x 3.5 mm or PZ0
	<b>PE connection via female contact</b>		
	S 4	0.5 - 0.8	SD 0.6 x 3.5 mm
	ConCept modular frame, metal	0.5 - 0.55	SD 0.6 x 3.5 mm
	<b>PE terminal</b>		
	HQ 5	0.5 - 0.55	SD 0.6 x 3.5 or 0.8 x 4 mm
	HQ 7	0.5 - 0.55	SD 0.6 x 3.5 or 0.8 x 4 mm
	<b>Fastening screws</b>	0.5 - 0.55	SD 0.6 x 3.5 mm or PZ0
	<b>Guide pin</b>	0.5 - 0.55	SD 0.6 x 3.5 mm or PZ0
	<b>Guide bush</b>	0.5 - 0.55	SD 0.6 x 3.5 mm or PZ0
	<b>Coding pins</b>	0.5 - 0.55	SD 0.6 x 3.5 mm or PZ0
	<b>M 4</b>	<b>Contact screws</b>	
HSB		1.2 - 1.5	SD 0.6 x 3.5 or 0.8 x 4 mm or PZ1
<b>PE connection via male contact</b>			
S 4		0.5 - 0.8	SD 0.6 x 3.5 mm
ConCept modular frame, metal		1.2 - 1.5	SD 0.6 x 3.5 mm
<b>PE terminal</b>			
HA		1.2 - 1.5	SD 0.6 x 3.5 or 0.8 x 4 mm or PH1
HE		1.2 - 1.5	SD 0.6 x 3.5 or 0.8 x 4 mm or PH1
HEE		1.2 - 1.5	SD 0.6 x 3.5 or 0.8 x 4 mm or PH1
HVE		1.2 - 1.5	SD 0.6 x 3.5 or 0.8 x 4 mm or PH1
HD		1.2 - 1.5	SD 0.6 x 3.5 or 0.8 x 4 mm or PZ1
HDD		1.2 - 1.5	SD 0.6 x 3.5 or 0.8 x 4 mm or PZ1
S 6/6 (for signal contacts)		1.2 - 1.5	0.8 x 4 mm or PZ1
ConCept modular frame, plastic		1.2 - 1.5	0.8 x 4 mm or PZ1
<b>M 5</b>		<b>PE terminal</b>	
	HSB	2 - 2.5	SD 1 x 5.5 mm or PZ2
	S 4/0 (Screw connection)	2 - 2.5	SD 1.2 x 6.5 mm or PH2
	S 4/0 (Axial screw connection)	2 - 2.5	SD 0.8 x 4 mm or PZ 2
	S 4/2	2 - 2.5	SD 1.2 x 6.5 mm or PH2
	S 4/8	2 - 2.5	SD 1.2 x 6.5 mm or PH2
	S 6/12	2 - 2.5	SD 0.8 x 4 mm or PZ 2
	S 6/36	2 - 2.5	SD 1.2 x 6.5 mm or PH2
	S 8/24	2 - 2.5	SD 1.2 x 6.5 mm or PH2
	S 12/2	2 - 2.5	SD 1.2 x 6.5 mm or PH2
	<b>M 6</b>	<b>Power contacts</b>	
S 4/0 (Screw connection)		1.2 (1.5 mm <sup>2</sup> ) / 2 (2.5 mm <sup>2</sup> ) / 3 (4-16 mm <sup>2</sup> )	SD 0.8 x 4 mm
S 4/2		1.2 (1.5 mm <sup>2</sup> ) / 2 (2.5 mm <sup>2</sup> ) / 3 (4-16 mm <sup>2</sup> )	SD 0.8 x 4 mm
S 4/8		1.2 (1.5 mm <sup>2</sup> ) / 2 (2.5 mm <sup>2</sup> ) / 3 (4-16 mm <sup>2</sup> )	SD 0.8 x 4 mm
<b>M 7 x 0.75</b>	<b>Power contacts</b>		
	S 4	1.1 - 1.7	SW 2
	S 6/6 (+ PE)	6 - 8	SW 4
<b>M 8 x 0.75</b>	<b>Power contacts</b>		
	S 6/12	1.1 - 1.7	SW 2
	S 8/0 (+ PE)	6 (10-16 mm <sup>2</sup> ) - 7 (25 mm <sup>2</sup> )	SW 4
<b>M10 x 1</b>	<b>Power contacts</b>		
	S 4/0 (Axial connection)	2 - 3	SW 3

Increasing the tightening torque does not improve the contact resistance. The stated torque settings offer optimal mechanical, thermal and electrical conditions. Exceeding the recommended values may even damage the conductor and terminal.