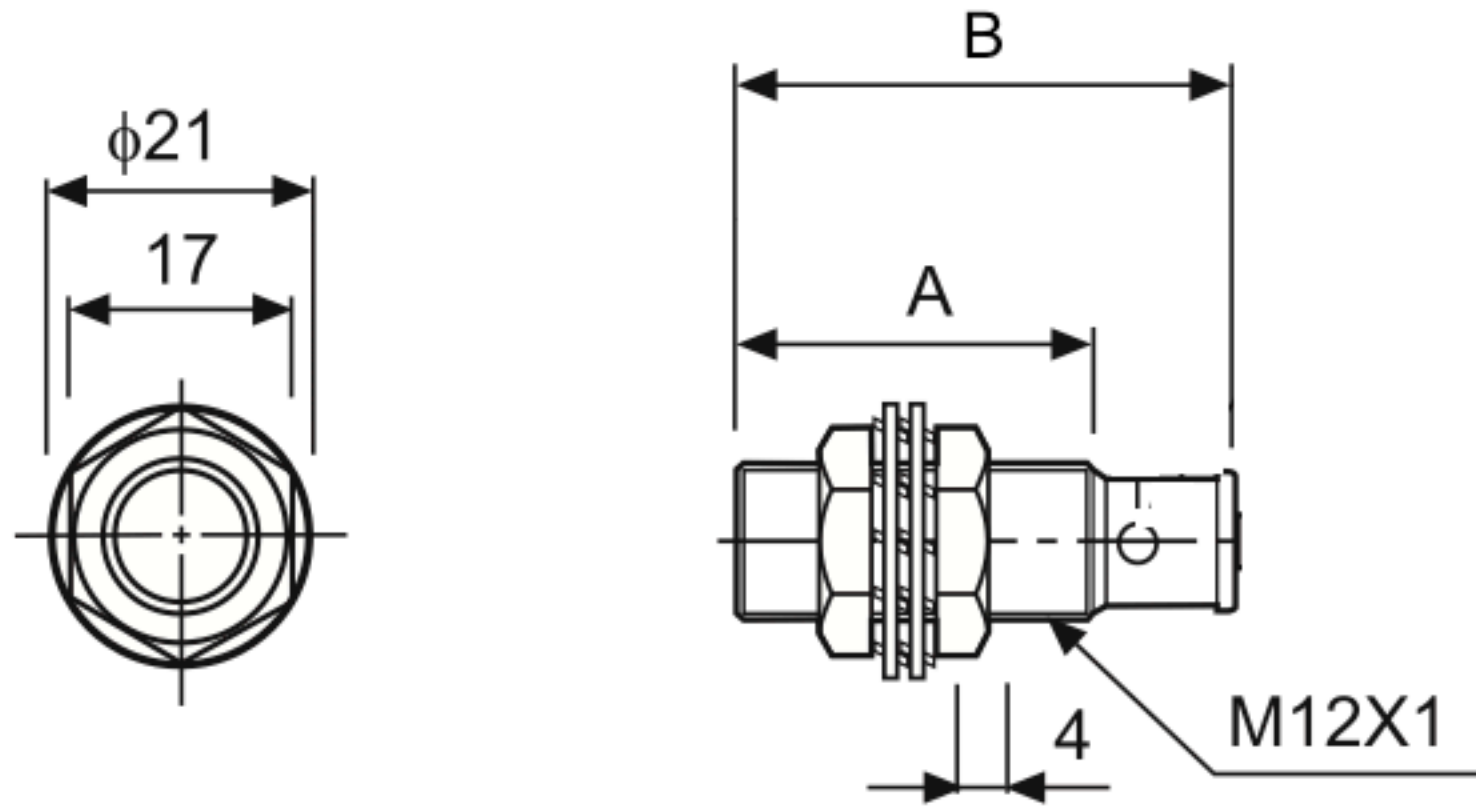


# ●M12



A = 47 mm

B = 68 mm

Diametro : 12 mm